



Brushless Rotary Motors

BM Series

High Torque, Low Maintenance

Our BM servomotors use permanent rare-earth magnets with a skewed, low-inertia rotor design to deliver high torque output, excellent torque-to-inertia ratio, minimal torque ripple and smooth velocity performance.

Unlike DC brush-type servomotors, BM motors feature a low-maintenance brushless design, making them ideal for critical applications that cannot tolerate downtime.

A variety of standard models and configurations are available for fast delivery, and we can engineer custom variants to satisfy your unique application needs.



KEY FEATURES:

- ◆ Available in **8 MODELS** with torque ranging from 0.17 N·m to 27.6 N·m
- ◆ Configurable with optional **FAIL-SAFE HOLDING BRAKE**
- ◆ Features optional **IP65-LEVEL CONSTRUCTION** for use in harsh environments
- ◆ Available in standard **NEMA FRAME SIZES**
- ◆ Follows the **EU 2015/863 ROHS 3** directive

BM SERIES SPECIFICATIONS

Model	Units	BM24	BM75	BM130	BM200
Performance Specifications^{1,2}					
Stall Torque, Continuous ³	N·m	0.17	0.51	1.02	1.45
Peak Torque ⁴	N·m	0.51	1.3	2.5	3.6
Rated Speed	rpm	3000	4000	4000	4000
Rated Power Output, Continuous	W	53	192	333	455
Electrical Specifications²					
BEMF Constant (Line-Line, Max)	$V_{pk}/krpm$	6.6	9	19	18
Continuous Current, Stall ³	A_{pk}	3.1	9.0	6.9	10.3
	A_{rms}	2.2	6.4	4.9	7.3
Peak Current, Stall ⁴	A_{pk}	9.3	22.5	17.3	25.8
	A_{rms}	6.6	15.9	12.2	18.2
Torque Constant ⁵	$N·m/A_{pk}$	0.055	0.06	0.15	0.14
	$N·m/A_{rms}$	0.078	0.08	0.21	0.20
Motor Constant ^{3,5}	$N·m/\sqrt{W}$	0.054	0.055	0.101	0.131
Resistance, 25°C, (Line-Line)	Ω	1.07	1.0	2.0	1.1
Inductance (Line-Line)	mH	0.75	1.42	3.52	2.18
Maximum Bus Voltage	VDC	80	340		
Thermal Resistance	$^{\circ}C/W$	7.47	1.18	1.04	0.81
Number of Poles	-	6	8		
Mechanical Specifications					
Frame Size	NEMA	17	23		
Mass	kg	0.8	1.1	1.5	2.0
Mass with Brake	kg	1.0	1.7	2.1	2.6
Rotor Moment of Inertia	$kg·m^2$	6.00×10^{-6}	5.91×10^{-6}	1.00×10^{-5}	1.30×10^{-5}
Max. Radial Load	N	28	89		
Max. Axial Load	N	10	89		
Standards		2011/65/EU RoHS 2 Directive			

1. Performance is dependent upon heat sink configuration, system cooling conditions, and ambient temperature.

2. All performance and electrical specifications $\pm 10\%$.

3. For BM75 and larger, values shown at 130°C rise above a 25°C ambient temperature, with motor mounted to a 305 mm x 305 mm x 12.7 mm aluminum heat sink.

For BM24, values shown at 75°C rise above a 25°C ambient temperature (maximum allowable winding temperature is 100°C), with housed motor mounted to a 250 mm x 250 mm x 6 mm aluminum heat sink.

4. Peak torque assumes correct rms current; consult Aerotech.

5. Torque constant and motor constant specified at stall.

BM SERIES SPECIFICATIONS

Model	Units	BM250	BM500	BM800	BM1400
Performance Specifications^{1,2}					
Stall Torque, Continuous ³	N·m	2.3	3.6	6.1	11.0
Peak Torque ⁴	N·m	5.7	9.1	15.3	27.6
Rated Speed	rpm	4000	4000	3000	3000
Rated Power Output, Continuous	W	739	1065	1446	2549
Electrical Specifications²					
BEMF Constant (Line-Line, Max)	V _{pk} /krpm	28	29	69	
Continuous Current, Stall ³	A _{pk}	10.3	17.5	11.9	20.5
	A _{rms}	7.2	12.4	8.4	14.5
Peak Current, Stall ⁴	A _{pk}	25.6	43.8	29.8	51.3
	A _{rms}	18.1	30.9	21.0	36.2
Torque Constant ⁵	N·m/A _{pk}	0.22	0.21	0.51	0.54
	N·m/A _{rms}	0.31	0.29	0.73	0.76
Motor Constant ^{3,5}	N·m/√W	0.206	0.287	0.451	0.745
Resistance, 25°C, (Line-Line)	Ω	1.1	0.5	1.2	0.5
Inductance (Line-Line)	mH	2.74	1.42	3.8	1.7
Maximum Bus Voltage	VDC	340			
Thermal Resistance	°C/W	0.82	0.61	0.60	0.54
Number of Poles	-	8			
Mechanical Specifications					
Frame Size	NEMA	34		42	
Mass	kg	3.6	5.0	6.6	10.7
Mass with Brake	kg	4.4	5.8	8.1	12.2
Rotor Moment of Inertia	kg·m ²	4.08x10 ⁻⁵	7.57x10 ⁻⁵	2.44x10 ⁻⁴	5.60x10 ⁻⁴
Max. Radial Load	N	178		222	
Max. Axial Load	N	89			
Standards		2011/65/EU RoHS 2 Directive			

1. Performance is dependent upon heat sink configuration, system cooling conditions, and ambient temperature.
2. All performance and electrical specifications ±10%.
3. Values shown @130°C rise above a 25°C ambient temperature, with motor mounted to a 305 mm x 305 mm x12.7 mm aluminum heat sink.
4. Peak torque assumes correct rms current; consult Aerotech.
5. Torque constant and motor constant specified at stall.

BM SERIES ORDERING INFORMATION

NEMA Brushless Rotary Servomotor

BM24	NEMA 17 brushless rotary servomotor
BM75	NEMA 23 brushless rotary servomotor
BM130	NEMA 23 brushless rotary servomotor
BM200	NEMA 23 brushless rotary servomotor
BM250	NEMA 34 brushless rotary servomotor
BM500	NEMA 34 brushless rotary servomotor
BM800	NEMA 42 brushless rotary servomotor
BM1400	NEMA 42 brushless rotary servomotor

Connectors (Required)

-MS	Integral cable w/MS connector for Fbk and Mtr
-D25	Integral cable w/D25 Fbk and 4D Mtr (only available on BM24, BM75, BM130, and BM200)
-D25-9D	Integral cable w/D25 Fbk, 4D Mtr, and 9D Limit (only available on BM75, BM130, and BM200)
-D25-FLB	Integral cable w/D25 Fbk, Fly Leads for Mtr, and 9D Limit (only available on BM75, BM130, and BM200)
-D25-5DU	Integral cable w/D25 Fbk, 5D Mtr, and 9D Limit (only available on BM75, BM130, and BM200)
-D25-9D-CMS	Integral cable w/D25 Fbk, 4D Mtr, and 9D Limit - CMS Only (only available on BM75, BM130, and BM200)
-D25-4TS	Integral cable w/D25 Fbk, 4TS Mtr, and 9D Limit (only available on BM75, BM130, and BM200)

Feedback (Required)

-E1000H	1000 lines/rev TTL incremental encoder w/Hall tracks not available for BM24
-E2500H	2500 lines/rev TTL incremental encoder w/Hall tracks
-E5000H	5000 lines/rev TTL incremental encoder w/Hall tracks not available for BM24
-E1000ASH	1000 lines/rev 1 Vpp incremental encoder w/Hall tracks

Brake (Optional)

-BK	Holding Brake
------------	---------------

Cable Type (Optional)

-HF	High flex cable; only available on BM75, BM130, and BM200
------------	---

Cable Length (dm; Optional)

-xx	Cable length in decimeters (3.8 dm is default); only available on BM75, BM130, and BM200
------------	--

Shaft Seal (Optional)

-NS	Nitrile front shaft seal; only available on BM250, BM500, BM800 and BM1400
------------	--

Vacuum Preparation (Optional)

-VAC6	Vacuum preparation to 10 ⁻⁶ Torr
--------------	---

Not available with BM24.

BM SERIES ORDERING INFORMATION

Accessories (Optional)

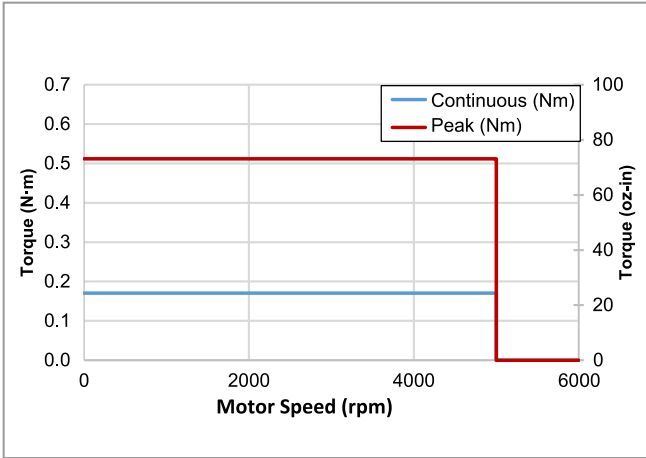
- MC-HPD25-M** Connector; HPD motor power mate
- MC-DB25-F** Connector; DB25 motor feedback mate
- MCM-3** Connector; MS motor power mate
- MCF-3** Connector; MS motor feedback mate

Note: Accessories are ordered as separate line items.

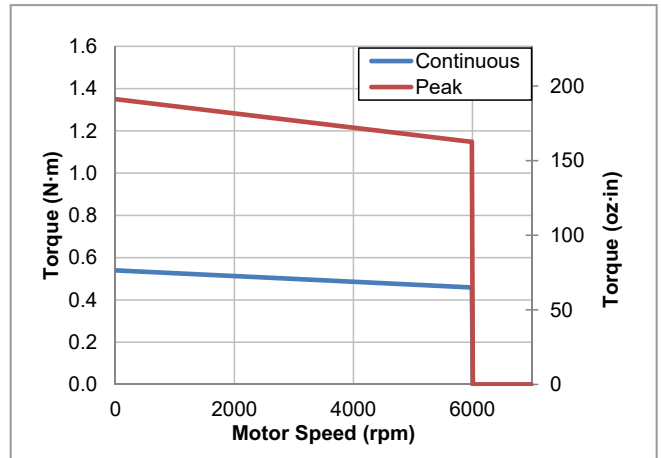


BM SERIES SPECIFICATIONS

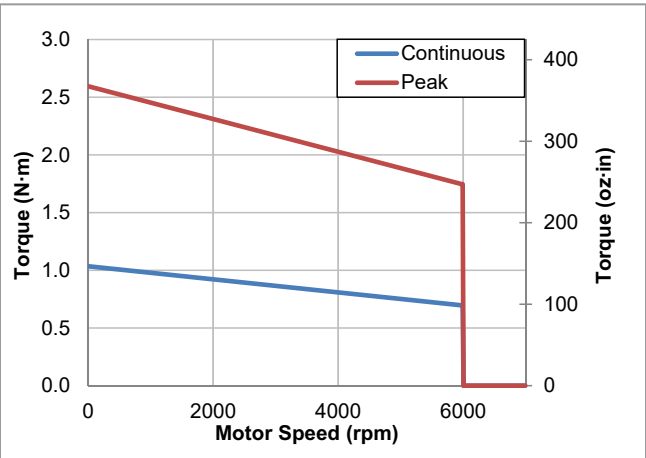
BM SERIES MOTOR PERFORMANCE



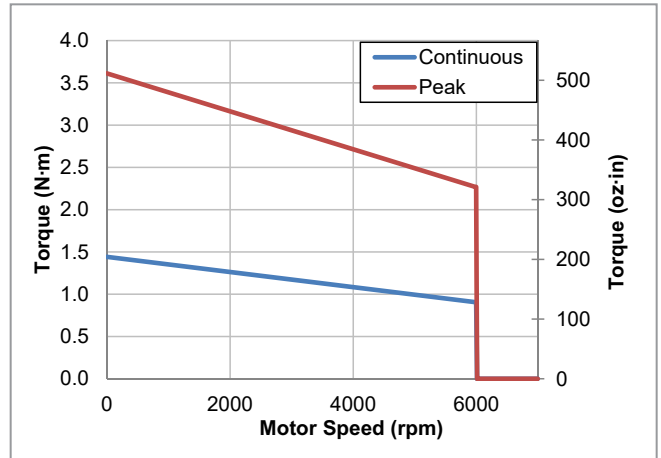
BM24 Torque vs. Speed



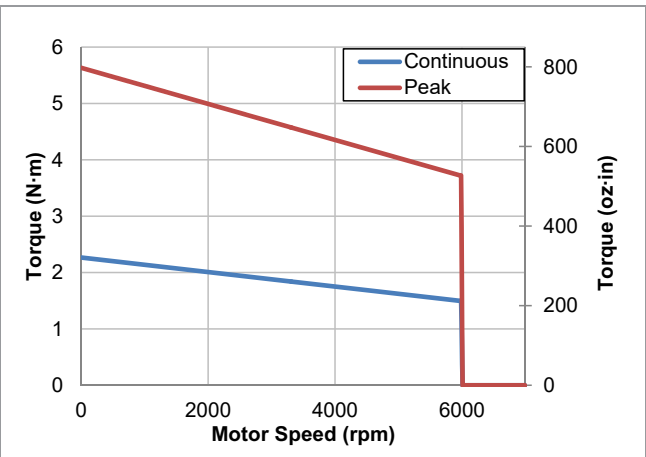
BM75 Torque vs. Speed



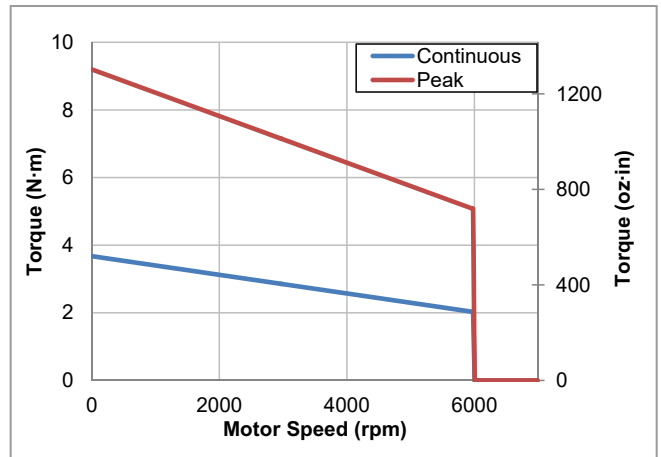
BM130 Torque vs. Speed



BM200 Torque vs. Speed



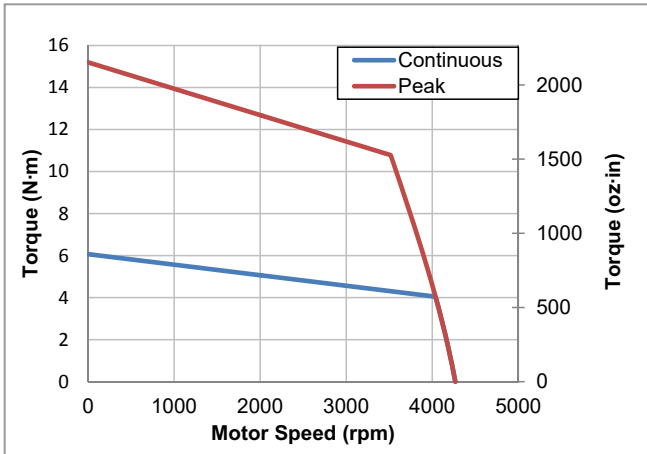
BM250 Torque vs. Speed



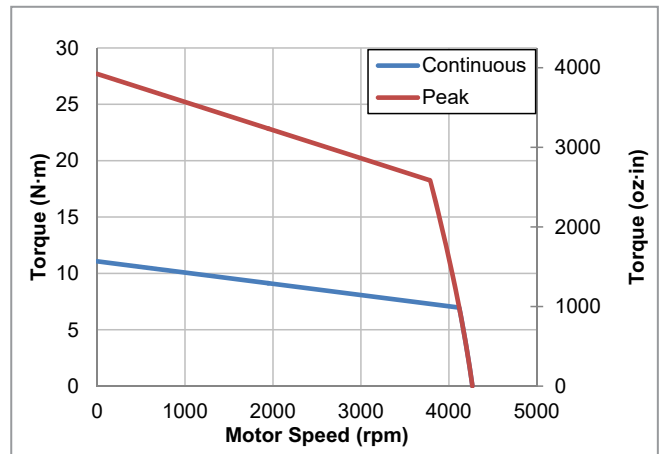
BM500 Torque vs. Speed

BM SERIES SPECIFICATIONS

BM SERIES MOTOR PERFORMANCE



BM800 Torque vs. Speed



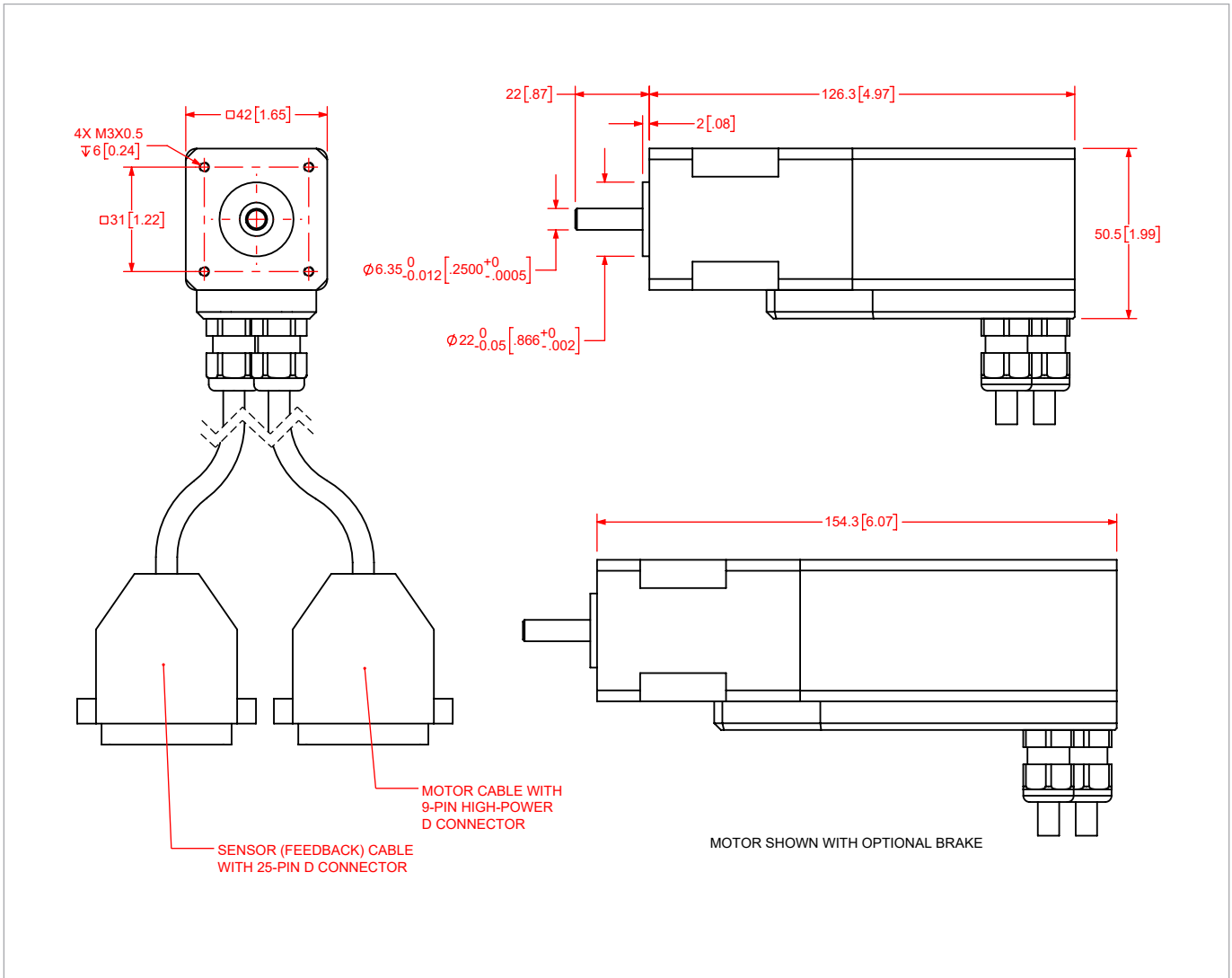
BM1400 Torque vs. Speed



All Aerotech motors are manufactured following ISO9001 standards.

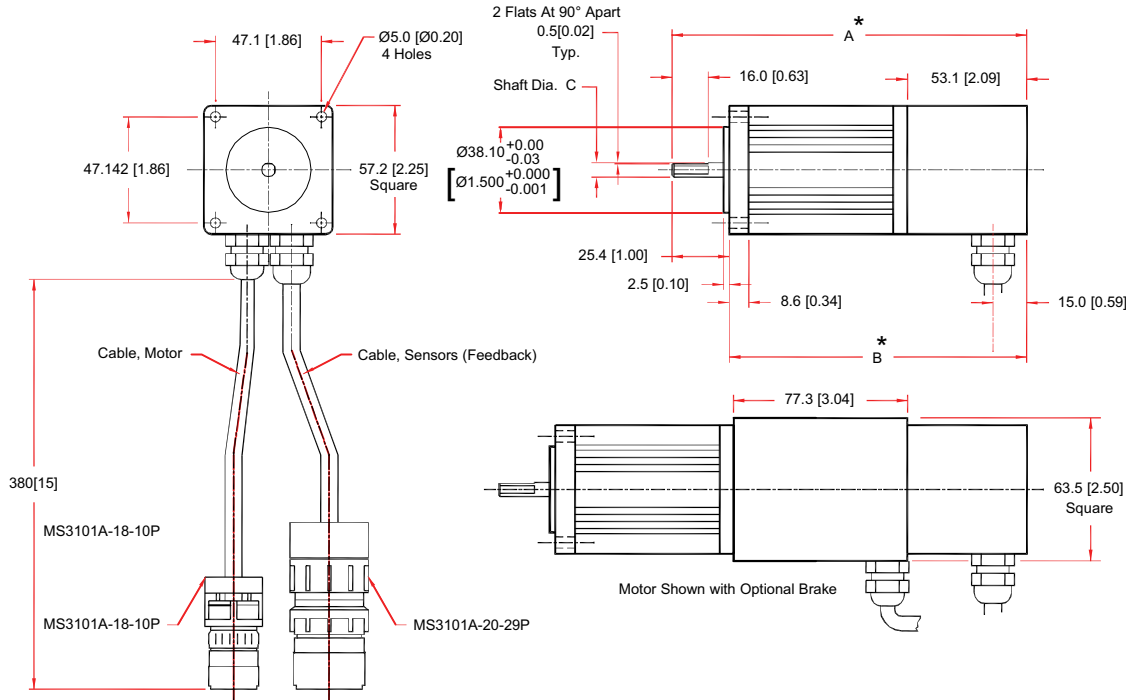
BM SERIES DIMENSIONS

NEMA 17 (BM24)



BM SERIES DIMENSIONS

NEMA 23 (BM75, BM130, BM200)



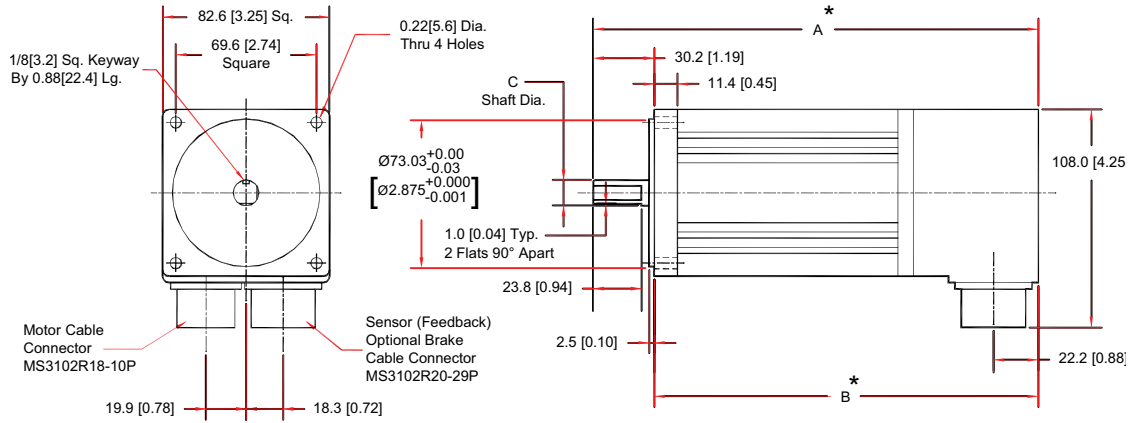
Dimensions - millimeters [inches]

Motor Model No.	A *	B *	C
BM75	157.5 6.20"	132.1 5.20"	Ø 6.345 +0.000, -0.013 0.2498" +0.0000", -0.0005"
BM130	187.9 7.40"	162.6 6.40"	Ø 9.517 +0.000, -0.013 0.3747" +0.0000", -0.0005"
BM200	218.4 8.60"	193.0 7.60"	Ø 9.517 +0.000, -0.013 0.3747" +0.0000", -0.0005"

* Add 77.3 [3.04 IN.] To Length For Optional Brake.

BM SERIES DIMENSIONS

NEMA 34 (BM250, BM500)

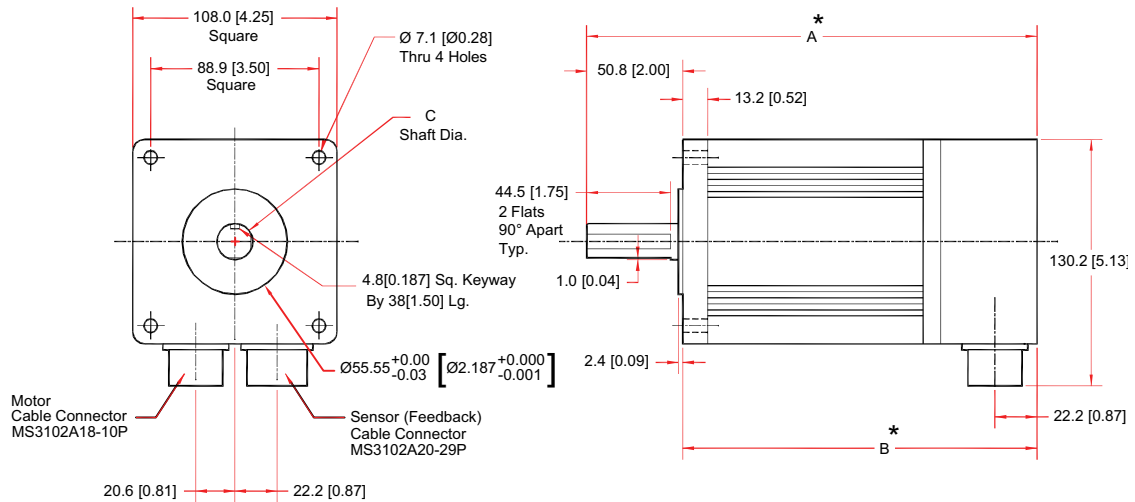


Dimensions - millimeters [inches]

Motor Model No.	A*	B*	C
BM250	220.3 8.67"	190.0 7.48"	Ø 12.69 +0.000, -0.013 0.4997" +0.0000", -0.0005"
BM500	275.1 10.83"	244.9 9.64"	Ø 12.69 +0.000, -0.013 0.4997" +0.0000", -0.0005"

* Add 55.6[2.19 IN.] To Length For Optional Brake.

NEMA 42 (BM800, BM1400)



Dimensions - millimeters [inches]

Motor Model No.	A*	B*	C
BM800	238 9.37"	187 7.37"	Ø 19.04 +0.000, -0.013 0.7497" +0.0000", -0.0005"
BM1400	318 12.52"	267.2 10.52"	Ø 19.04 +0.000, -0.013 0.7497" +0.0000", -0.0005"

* Add 68.9[2.71 IN.] To Length For Optional Brake.