

CGF Series

Collet and Gripper Filtration Unit

Low-maintenance filtration and solenoid kit used for control of Aerotech collet workholding stages

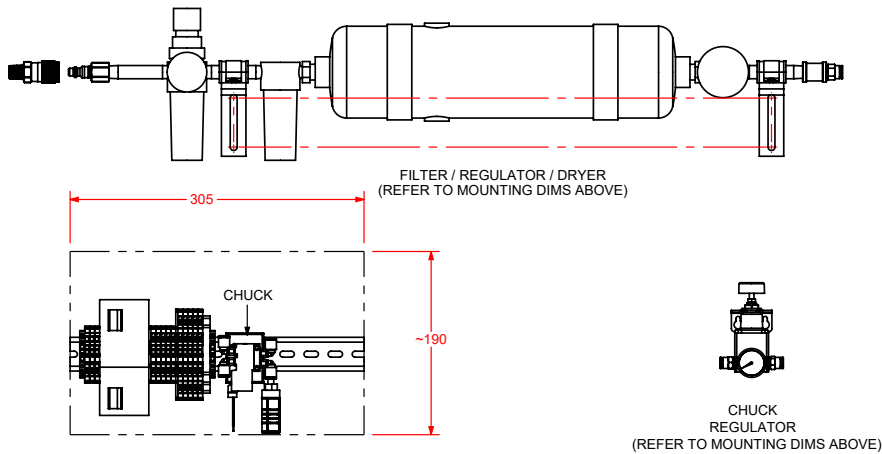
Compatible with the ASR, ACS, CCS, LaserTurn, and Vasculathe systems and all Aerotech amplifiers and controllers



CGF Series DIMENSIONS

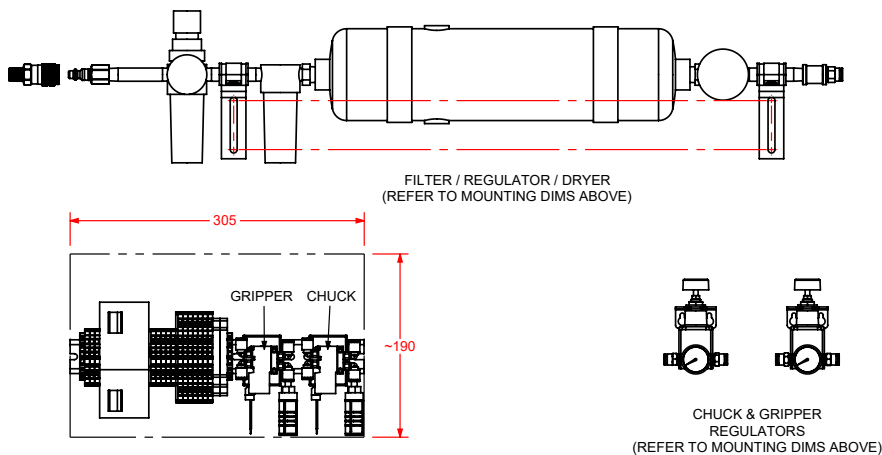
FK3: FILTER / REGULATOR / DRYER / CHUCK SOLENOID KIT

NOTE: INTERCONNECT COMPONENTS (e.g. TUBING, FITTINGS, CHECK VALVES,...) ARE INCLUDED FOR SEAMLESS INTEGRATION WITH STAGE.



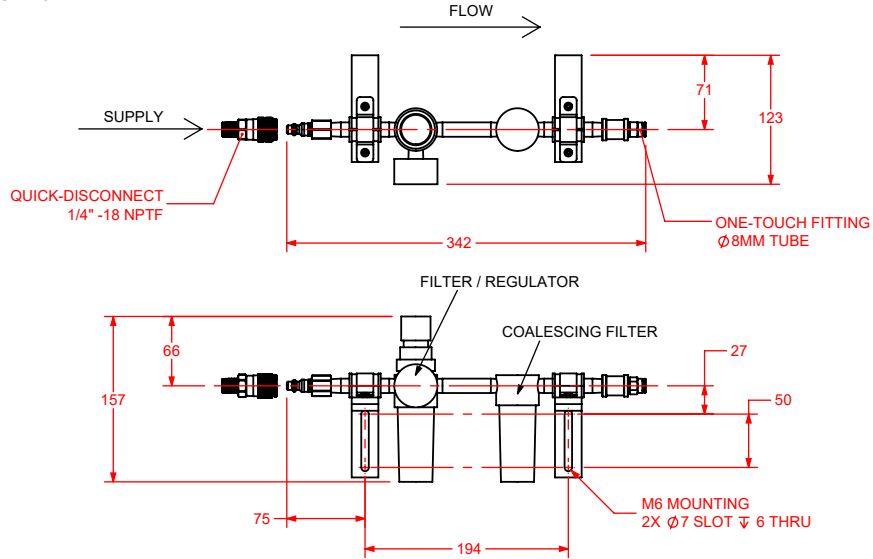
FK4: FILTER / REGULATOR / DRYER / CHUCK & GRIPPER SOLENOID KIT

NOTE: INTERCONNECT COMPONENTS (e.g. TUBING, FITTINGS, CHECK VALVES,...) ARE INCLUDED FOR SEAMLESS INTEGRATION WITH STAGE.

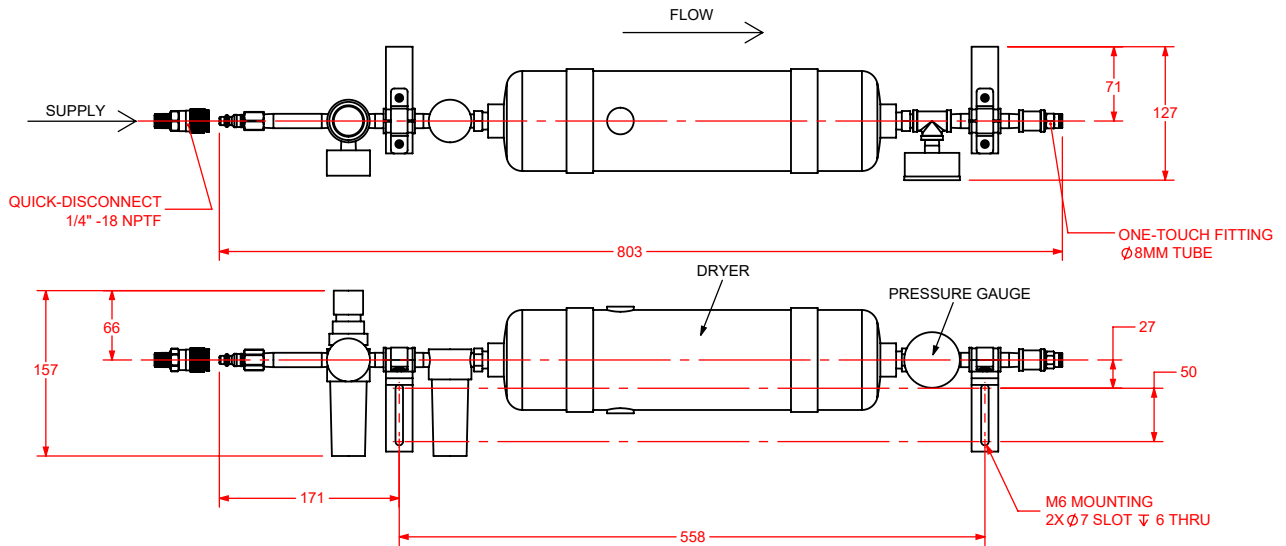


CGF Series DIMENSIONS

FK1: FILTER / REGULATOR KIT

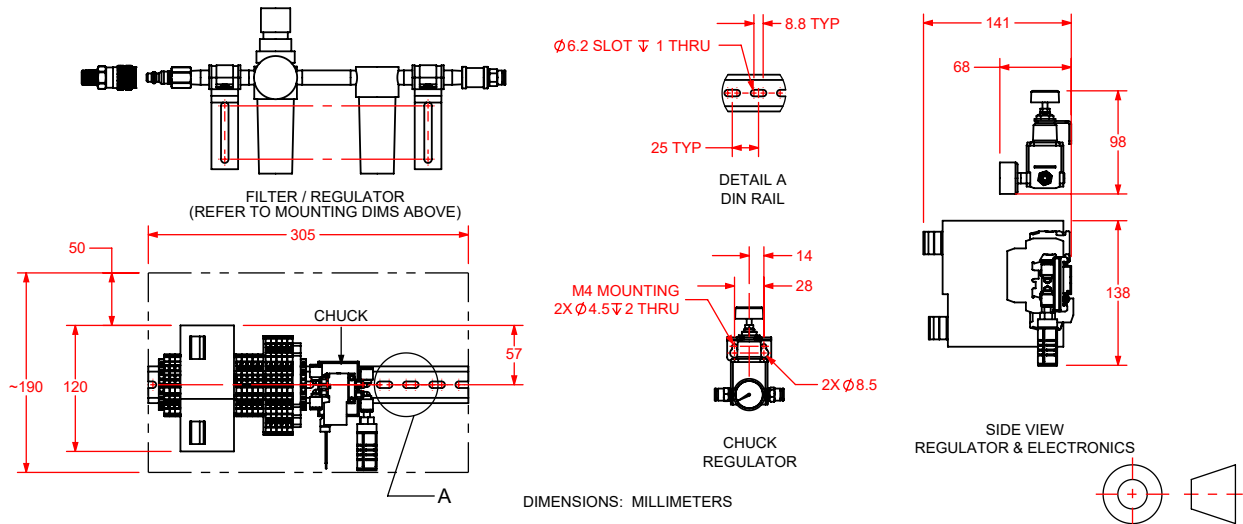


FK2: FILTER / REGULATOR / DRYER KIT



FK3: FILTER / REGULATOR / CHUCK SOLENOID KIT (CCS190DR ONLY)

NOTE: INTERCONNECT COMPONENTS (e.g. TUBING, FITTINGS, CHECK VALVES,...) ARE INCLUDED FOR SEAMLESS INTEGRATION WITH STAGE.



CGF Series ORDERING INFORMATION

Filtration Kit (Required)

| | |
|------|-------------------------------------------------------------|
| -FK1 | Filter/regulator kit |
| -FK2 | Filter/regulator/dryer kit |
| -FK3 | Filter/regulator/dryer/chuck solenoid valve kit |
| -FK4 | Filter/regulator/dryer/chuck and gripper/solenoid valve kit |

-FK4 is only applicable with the LaserTurn and Vasculathe products.

Connector (Required)

| | |
|------|----------------------------------------------------------|
| -CN1 | 3-ferrule/chuck solenoid valve kit |
| -CN2 | 4-ferrule/chuck and gripper solenoid valve kit |
| -CN3 | 26-pin HD connector/chuck solenoid valve kit |
| -CN4 | 26-pin HD connector/chuck and gripper solenoid valve kit |
| -CN5 | 25-pin D connector/chuck solenoid valve kit |
| -CN6 | 25-pin D connector/chuck and gripper solenoid valve kit |

Note: Filtration kit options and connector options are both stage and controller/drive dependent. Options available for all ASR, ACS, CCS, LaserTurn, and Vasculathe products. Compatible with all Aerotech and 3rd-party controller and amplifiers.