



ADRT260 High-Precision Mechanical Bearing Direct-Drive Rotary Stage

HARDWARE MANUAL

Revision 2.00



GLOBAL TECHNICAL SUPPORT

Go to the [Global Technical Support Portal](#) for information and support about your Aerotech, Inc. products. The website supplies software, product manuals, Help files, training schedules, and PC-to-PC remote technical support. If necessary, you can complete Product Return (RMA) forms and get information about repairs and spare or replacement parts. To get help immediately, contact a service office or your sales representative. Include your customer order number in your email or have it available before you call.

This manual contains proprietary information and may not be reproduced, disclosed, or used in whole or in part without the express written permission of Aerotech, Inc. Product names mentioned herein are used for identification purposes only and may be trademarks of their respective companies.

Copyright © 2009-2023, Aerotech, Inc., All rights reserved.



Table of Contents

ADRT260 High-Precision Mechanical Bearing Direct-Drive Rotary Stage	1
Table of Contents	3
List of Figures	4
List of Tables	5
EU Declaration of Incorporation	6
UKCA Declaration of Incorporation	7
Safety Procedures and Warnings	8
Installation and Operation	9
Electrical Warnings	10
Motor-Related Warnings	11
Pinch Points	12
Handling and Storage	13
Chapter 1: Overview	15
1.1. Environmental Specifications	16
1.2. Accuracy and Temperature Effects	16
1.3. Basic Specifications	17
1.4. Vacuum Operation	18
Chapter 2: Installation	19
2.1. Dimensions	19
2.2. Securing the Stage to the Mounting Surface	21
2.3. Attaching the Payload or Fixturing to the Stage	23
Chapter 3: Electrical Installation	25
3.1. Motor and Feedback Connectors	26
3.2. Motor and Feedback Wiring	29
3.3. Motor and Feedback Specifications	30
3.4. Limits, Marker, and Machine Direction	32
3.5. Motor and Feedback Phasing	33
Chapter 4: Maintenance	35
4.1. Service and Inspection Schedule	35
4.2. Cleaning and Lubrication	36
4.3. Travel Adjustment	37
4.4. Troubleshooting	38
Appendix A: Warranty and Field Service	39
Appendix B: Revision History	41
Index	43

List of Figures

Figure 2-1: ADRT260 Dimensions	19
Figure 2-2: ADRT260 Limited Travel Dimensions	20
Figure 2-3: Stage Mounting Holes	22
Figure 2-4: Load Orientations	23
Figure 2-5: Cantilevered Load Capabilities	24
Figure 3-1: Motor and Feedback Wiring	29
Figure 3-2: Machine Direction	32
Figure 3-3: Hall Phasing Diagram	33
Figure 3-4: Encoder Phasing Reference Diagram (Standard/Square Wave)	34
Figure 3-5: Encoder Phasing Reference Diagram (Analog/Sine Wave)	34

List of Tables

Table 1-1: Model Numbers and Ordering Options	15
Table 1-2: Environmental Specifications	16
Table 1-3: ADRT260 Series Specifications	17
Table 2-1: Stage Mounting Surface Flatness Requirement	21
Table 2-2: Stage to Mounting Surface Hardware	21
Table 2-3: Mounting Interface Flatness Requirement	23
Table 3-1: High Power D-Style Motor Connector Pinout	27
Table 3-2: Mating Connector Part Numbers for the Motor Connector	27
Table 3-3: Feedback Connector Pinout	28
Table 3-4: Mating Connector Part Numbers for the Feedback Connector	28
Table 3-5: Hall-Effect Sensor Specifications	30
Table 3-6: Thermistor Specifications	30
Table 3-7: Encoder Specifications	30
Table 3-8: Encoder Resolution	30
Table 3-9: Maximum Speed Per Encoder Option	30
Table 3-10: Limit Switch Specifications	31
Table 3-11: ADRT Motor Specifications	31
Table 4-1: Troubleshooting	38

EU Declaration of Incorporation

Manufacturer Aerotech, Inc.
101 Zeta Drive
Pittsburgh, PA 15238-2811
USA



herewith declares that the product:

ADRT stage

is intended to be incorporated into machinery to constitute machinery covered by the Directive 2006/42/EC as amended; and that the following harmonized European standards have been applied:

EN ISO 12100:2010

Safety of Machinery - Basic concepts, general principles for design

EN 60204-1:2010

Safety of Machinery - Electrical equipment of machines - Part 1: General requirements

and further more declares that

it is not allowed to put the equipment into service until the machinery into which it is to be incorporated or of which it is to be a component has been found and declared to be in conformity with the provisions of the Directive 2006/42/EC and with national implementing legislation, for example, as a whole, including the equipment referred to in this Declaration.

This is to certify that the aforementioned product is in accordance with the applicable requirements of the following directive(s):

EU 2015/863

Directive, Restricted Substances (RoHS 3)

Authorized Representative:

/ Norbert Ludwig

Managing Director
Aerotech GmbH
Gustav-Weißkopf-Str. 18
90768 Fürth
Germany

Engineer Verifying Compliance

/ Alex Weibel

Aerotech, Inc.
101 Zeta Drive
Pittsburgh, PA 15238-2811
USA
3/30/2023

Date

UKCA Declaration of Incorporation

Manufacturer
Aerotech, Inc.
101 Zeta Drive
Pittsburgh, PA 15238-2811
USA



herewith declares that the product:

ADRT stage

To which this declaration relates, meets the essential health and safety requirements and is in conformity with the relevant UK Legislation listed below:

Supply of Machinery (Safety) Regulations 2008

Hazardous Substances in Electrical and Electronic Equipment Regulations 2012

Using the relevant section of the following UK Designated Standards and other normative documents when installed in accordance with the installation instructions supplied by the manufacturer.

EN ISO 12100:2010

Safety of Machinery - Basic concepts, general principles for design

EN 60204-1:2010

Safety of Machinery - Electrical equipment of machines - Part 1: General requirements

and furthermore declares that it is not allowed to put the product into service until the machinery into which it is to be incorporated or of which it is to be a component has been found and declared to be in conformity with the provisions of the Supply of Machinery (Safety) Regulations 2008 UK Legislation and with national implementing legislation, for example, as a whole, including the equipment referred to in this Declaration.

Authorized Representative:

A handwritten signature in black ink, appearing to read 'Simon Smith'.

/ Simon Smith

Managing Director
Aerotech Ltd
The Old Brick Kiln, Ramsdell, Tadley
Hampshire RG26 5PR
UK

Engineer Verifying Compliance

A handwritten signature in black ink, appearing to read 'Alex Weibel'.

/ Alex Weibel

Aerotech, Inc.
101 Zeta Drive
Pittsburgh, PA 15238-2811
USA

Date

3/30/2023

Safety Procedures and Warnings



IMPORTANT: This manual tells you how to carefully and correctly use and operate the stage.

- Read all parts of this manual before you install or operate the stage or before you do maintenance to your system.
- To prevent injury to you and damage to the equipment, obey the precautions in this manual.
- All specifications and illustrations are for reference only and were complete and accurate as of the release of this manual. To find the newest information about this product, refer to www.aerotech.com.

If you do not understand the information in this manual, contact Aerotech Global Technical Support.



IMPORTANT: This product has been designed for light industrial manufacturing or laboratory environments. If the product is used in a manner not specified by the manufacturer:

- The protection provided by the equipment could be impaired.
- The life expectancy of the product could be decreased.

Safety notes and symbols are placed throughout this manual to warn you of the potential risks at the moment of the safety note or if you fail to obey the safety note.



Shock/Electrocution Hazard



Pinch, Shear, or Crush Hazard



General/Conditional Awareness



Rotational Machinery Hazard



Hot Surface Hazard



Pinch/Entanglement Hazard



Magnetic Field Hazard



Trip Hazard



Heavy, Bulky Lifting Hazard



Appropriate Equipment Required



Pressure/Explosive Atmosphere Hazard



Electrostatic Discharge Hazard

A blue circle symbol is an action or tip that you should obey. Some examples include:



General tip



Read the manual/section



Wear personal protective equipment (PPE): Safety Glasses



If applicable, do not lift unassisted



Wear personal protective equipment (PPE): Gloves



Wear personal protective equipment (PPE): Hearing Protection

Installation and Operation

To decrease the risk of damage to the equipment, you must obey the precautions that follow.



DANGER: General Hazard Warning!

This product can produce high forces and move at velocities that could cause injury. The user is responsible for its safe operation. The following general equation is provided to assist with risk assessments in regards to contact and pinch points:

$$Pressure_{Max} \left[\frac{N}{mm^2} \right] = \frac{Force_{Peak}[N]}{Area_{Contact}[mm^2]}$$



WARNING: General Hazard Warning!

- Only trained operators should operate this equipment.
- All service and maintenance must be done by approved personnel.
- Use this product only in environments and operating conditions that are approved in this manual.
- Never install or operate equipment that appears to be damaged.
- Make sure that the product is securely mounted before you operate it.
- Make sure that all pneumatic lines are securely connected.
- Use care when you move the ADRT or you could negatively affect the performance of it.



WARNING: Trip Hazard!

Route, house, and secure all cables, duct work, air, or water lines. Failure to do so could introduce trip hazards around the system that could result in physical injury or could damage the equipment.

Electrical Warnings

To decrease the risk of electrical shock, injury, death, and damage to the equipment, obey the precautions that follow.



DANGER: Electrical Shock Hazard!

- Stage motor phase voltage levels could be hazardous live.
- Personnel are protected from hazardous voltages unless electrical interconnections, protective bonding (safety ground), or motor/stage enclosures are compromised.
- Do not connect or disconnect stage/motor interconnections while connected to a live electrical power source.
- Before you set up or do maintenance, disconnect electrical power.
- It is the responsibility of the End User/System Integrator to make sure that stages are properly connected and grounded per Engineering Standards and applicable safety requirements.
- It is the responsibility of the End User/System Integrator to configure the system drive or controller within the Aerotech motor/stage electrical and mechanical specifications.

Motor-Related Warnings

Aerotech motors are capable of producing high forces and velocities. Obey all warnings and all applicable codes and standards when you use or operate a stage or system that incorporates Aerotech motors.



DANGER: Mechanical Hazard!

Personnel must be made aware of the mechanical hazards during set up or when you do service to the stage.



- Unintentional manual movement into the stage "end-of-travel" stops, could damage the stage or undo precision alignments.
- Stage movement could create pinch points, entanglement hazards, or rotational mechanical hazards.



DANGER: Hot Surface Hazard!

- The stage/motor frame temperature could exceed 70°C in some applications.
- Do not touch the stage/motor frame while it is in operation.
- Wait until the stage/motor has cooled before you touch it.



DANGER: Risk of Explosive Atmosphere!

- Standard Aerotech stage/motors are not rated for applications with explosive atmospheres such as airborne dust or combustible vapors.
- Do not operate stage/motors outside of Aerotech environmental specifications.



DANGER: Magnetic Field Hazard!

Aerotech stage/motors contain magnets which can present a Magnetic Field Hazard.

- Do not disassemble a stage motor under any circumstances.
- Strong magnetic fields could interfere with external/internal medical devices.
- Strong magnetic fields could present mechanical hazards such as pinch points.

Pinch Points

A pinch point is a mechanical hazard that can occur when there are exposed parts of the stage or system that can move. For example, the travel of a stage tabletop could expose the user to a pinch point between the tabletop and the stage housing. The images that follow will show you typical external and internal pinch point locations.

DANGER: Mechanical Hazard!

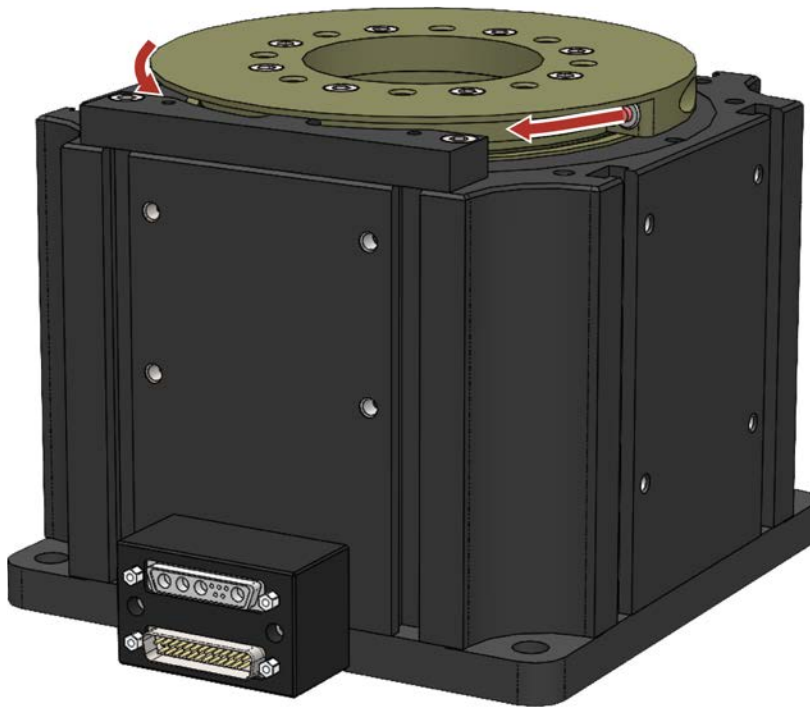


- System travel can cause crush, shear, or pinch injuries.
- Only trained operators should operate this equipment.
- Do not put yourself in the travel path of machinery.
- Restrict access to all motor and stage parts
 - when the system moves under power (during normal operation, for example).
 - when the system is moved manually (during the installation process or when you do maintenance, for example).
- Motors are capable of very high speeds and acceleration rates.

Figure 1: Typical Pinch Point Locations



DANGER: Rotating Machinery Hazard!
Pinch zones occur at the hardstops on limited travel stages.



Handling and Storage



IMPORTANT: It is the responsibility of the customer to safely and carefully lift and move the stage.

- Be careful when you move or transport the stage.
- Retain the shipping materials for future use.
- Transport or store the stage in its protective packaging.



WARNING: Electrostatic Discharge (ESD) Sensitive Components!

Wear an ESD wrist strap when you handle, install, or do service to the system assembly. You could damage the power supply or drives if you fail to observe the correct ESD practices.

Inspect the shipping container for any evidence of shipping damage. If any damage exists, notify the shipping carrier immediately.

Remove the packing list from the shipping container. Make sure that all the items specified on the packing list are contained within the package.

The documentation for the stage is on the included installation device. The documents include manuals, interconnection drawings, and other documentation pertaining to the system. Save this information for future reference.

Each stage has a label listing the system part number and serial number. These numbers contain information necessary for maintenance or system hardware and software updates. Locate this label and record the information for later reference.

Unpacking and Handling

It is the responsibility of the customer to safely and carefully lift and move the stage.



IMPORTANT: All electronic equipment and instrumentation is wrapped in antistatic material and packaged with desiccant. Ensure that the antistatic material is not damaged during unpacking.



DANGER: Lifting Hazard! Use care when you move the ADRT or you could negatively affect the performance of it.

- Use the correct lifting techniques, mechanical assistance, or additional help to lift or move this product.
- Do not use the cables or the connectors to lift or move this product.
- Make sure that all moving parts are secure before you move the stage. Unsecured moving parts could shift and cause injury or damage to the equipment.
- If the stage is heavy, a single person lift could cause injury. Use assistance when you lift or move it.
 - Refer to [Section 2.1. Dimensions](#) for dimensions
 - Refer to [Section 1.3. Basic Specifications](#) for weight specifications.

Carefully remove the stage from its protective shipping container.

- Lift this product only by the base.
- For multi-axis assemblies, always lift the system by the lower axis.
- Use a cart, dolly, or similar device to move the stage to a new location.

Gently set the stage on a smooth, flat, and clean surface. Use compressed nitrogen or clean, dry, oil-free air to remove any dust or debris that has collected during shipping.

Before you operate the stage, let it stabilize at room temperature for at least 12 hours. This will ensure that all of the alignments, preloads, and tolerances are the same as they were when they were tested at Aerotech.

Each stage has a label listing the system part number and serial number. These numbers contain information necessary for maintenance or system hardware and software updates. Locate this label and record the information for later reference.

Storage

Store the stage in the original shipping container. If the original packaging included ESD protective packaging, make sure to store the stage in it. The storage location must be dry, free of dust, free of vibrations, and flat.

Refer to [Section 1.1. Environmental Specifications](#)

Chapter 1: Overview

Table 1-1: Model Numbers and Ordering Options

ADRT260 Mechanical-Bearing Direct-Drive Rotary Stage			
Stage Height (Required)			
-160	160 mm height		
-180	180 mm height		
Motor (Required)			
-M1	Low current, -A winding		
-M2	Low voltage, -B winding		
Feedback (Required)			
-E6	Incremental encoder, 1 Vpp		
-E7	Incremental encoder, digital RS422, electrical resolution 2.91 arc sec		
-E8	Incremental encoder, digital RS422, electrical resolution 1.45 arc sec		
-E9	Incremental encoder, digital RS422, electrical resolution 0.73 arc sec		
-E10	Incremental encoder, digital RS422, electrical resolution 0.58 arc sec		
Limited Travel (Optional)			
	Continuous travel		
-TR010	±5 degrees	-TR160	±80 degrees
-TR020	±10 degrees	-TR180	±90 degrees
-TR040	±20 degrees	-TR200	±100 degrees
-TR060	±30 degrees	-TR220	±110 degrees
-TR080	±40 degrees	-TR240	±120 degrees
-TR090	±45 degrees	-TR260	±130 degrees
-TR100	±50 degrees	-TR270	±135 degrees
-TR120	±60 degrees	-TR280	±140 degrees
-TR140	±70 degrees	-TR300	±150 degrees
NOTE: -TRxxx options include electrical limits and mechanical hardstops. There are an extra 1.5° per side between the nominal travel and the electrical limits, and an extra 5° per side between the nominal travel and mechanical hardstops. For example: -TR90 has ±45° of nominal travel, with ±46.5° of travel between electrical limits and ±50 degrees of travel between mechanical hardstops.			
Metrology (Required)			
-PL0	No metrology performance plots		
-PL1	Uncalibrated with performance plots		
-PL2	Calibrated (HALAR) with performance plots		
Integration (Required)			
-TAS	Test as system: Testing, integration, and documentation of a group of components as a complete system that will be used together.		
-TAC	Test as components: Testing and integration of individual items as discrete components that ship together.		

1.1. Environmental Specifications



WARNING: General Hazard Warning! Do not expose this product to environments or conditions outside of the listed specifications. You could damage the equipment if you exceed the environmental or operating specifications.



DANGER: Risk of Explosive Atmosphere!

- Standard Aerotech stage/motors are not rated for applications with explosive atmospheres such as airborne dust or combustible vapors.
- Do not operate stage/motors outside of Aerotech environmental specifications.

Table 1-2: Environmental Specifications

Ambient Temperature	Operating: 10° to 35° C (50° to 95° F)
	The optimal operating temperature is 20° C \pm 2° C (68° F \pm 4° F). If at any time the operating temperature deviates from 20° C degradation in performance could occur.
Humidity	Storage: 0° to 40° C (32° to 104° F) in original shipping packaging
	Operating: 20% to 60% RH Storage: 10% to 70% RH, non-condensing in original packaging. The stage should be packaged with desiccant if it is to be stored for an extended time.
Altitude	Operating: 0 m to 2,000 m (0 ft to 6,562 ft) above sea level Contact Aerotech if your specific application involves use above 2,000 m or below sea level.
Vibration	Use the system in a low vibration environment. Floor or acoustical vibration can affect system performance. Contact Aerotech for information regarding your specific application.
Protection Rating	These stages are not suited for dusty or wet environments. This equates to an ingress protection rating of IP30.
Use	Indoor use only

1.2. Accuracy and Temperature Effects

Aerotech products are designed for and built in a 20°C (68°F) environment. Temperature changes could cause a decrease in performance or permanent damage to the stage. At a minimum, the environmental temperature must be controlled to within 0.25°C per 24 hours to ensure the stage specifications are repeatable over an extended period of time. The severity of temperature effects on all specifications depends on many different environmental conditions, which include how the stage is mounted. Contact the factory for more details.

1.3. Basic Specifications

Resolution is dependent on encoder resolution and controller interpolation.

Table 1-3: ADRT260 Series Specifications

		ADRT260-160	ADRT260-180
Maximum Torque (Continuous)		19.71 N·m	29.09 N·m
Bus Voltage		Up to 340 VDC	
Accuracy (1)(2)	Uncalibrated	60 arc sec	
	Calibrated	5 arc sec	
Repeatability ⁽²⁾		3 arc sec	
Axial Error Motion		5 μ m	
Radial Error Motion ⁽³⁾		5 μ m	
Tilt Error Motion		10 arc sec	
Aperture		100 mm	
Radial Load ⁽⁵⁾		110 kg	
Axial Load		170 kg	
Rated Speed		375 rpm	
Inertia		0.065934 kg·m ²	0.084950 kg·m ²
Mass		27.3 kg	33 kg
Finish (Table)		Hardcoat	
Finish (Stage)		Black Anodized	
<p>(2) Calibrated accuracy requires the -PL2 option and Aerotech controls.</p> <p>(3) Repeatability and accuracy are dependent on encoder resolution. To achieve the listed specifications, encoder resolution must be 0.36 arc sec or less.</p> <p>(4) Specifications are for single-axis systems. The performance of multi-axis systems depend upon the payload and workpoint. Consult the Aerotech factory for multi-axis or non-standard applications.</p> <p>(5) Moment load based on five year continuous rotation at 250 rpm with maximum axial load applied. Larger moment loads possible for low speed and/or low duty cycle applications. Consult Aerotech for additional information.</p>			

1.4. Vacuum Operation

Vacuum option preparations are available as special orders. Contact Aerotech for more information.

There are two vacuum preparation options:

- Low Vacuum (for use in atmospheric pressures to 10^{-3} Torr)
- High Vacuum (preparation for environments from 10^{-3} to 10^{-6} Torr).

Special preparations include:

- Parts are lubricated with vacuum-compatible lubricants.
- Materials, fasteners, and coatings are selected to be compatible with the specified level of vacuum.
- High-vacuum systems are designed to eliminate trapped volumes.
- Prior to assembly, stage parts are thoroughly cleaned in a clean environment.
- The stage is packaged in a special polyethylene bag.

Vacuum Guidelines

To ensure that the stage will continue to perform well in the vacuum environment, use the guidelines that follow (in addition to standard handling, installation, and lubrication guidelines outlined in this manual).

1. Do not remove the stage from its sealed bag until it is ready to use.
2. Always handle the stage in a clean environment and use powder-free polyethylene gloves to prevent any contaminants from adhering to the surface of the stage.
3. During installation, use cleaned, vented, stainless steel fasteners to secure the stage.
4. Reduced air pressure eliminates significant convective heat transfer. This, coupled with the viscous vacuum-compatible lubricants, could result in excessive motor operating temperatures. Because of this, consider all continuous torque ratings to be **40 to 60% lower** than the value specified for operation in normal atmospheric environment. Reduce motor usage accordingly.
5. We recommend that you use a small quantity of **Braycote® 602EF** grease or a compatible substitute of equal quality lubricant in vacuum applications.
6. To reduce outgassing during the initial pump-down to vacuum pressure, Aerotech recommends that you bake out vacuum systems when you first install them into the vacuum chamber. Bake the vacuum components at 60 °C for 24 to 48 hours to desorb water vapor from surfaces and degas polymers (such as cable insulation).

Chapter 2: Installation



The stage installation must be in accordance with the instructions provided by this manual and any accompanying documentation. Failure to follow these instructions could result in injury or damage to the equipment.

2.1. Dimensions

Figure 2-1: ADRT260 Dimensions

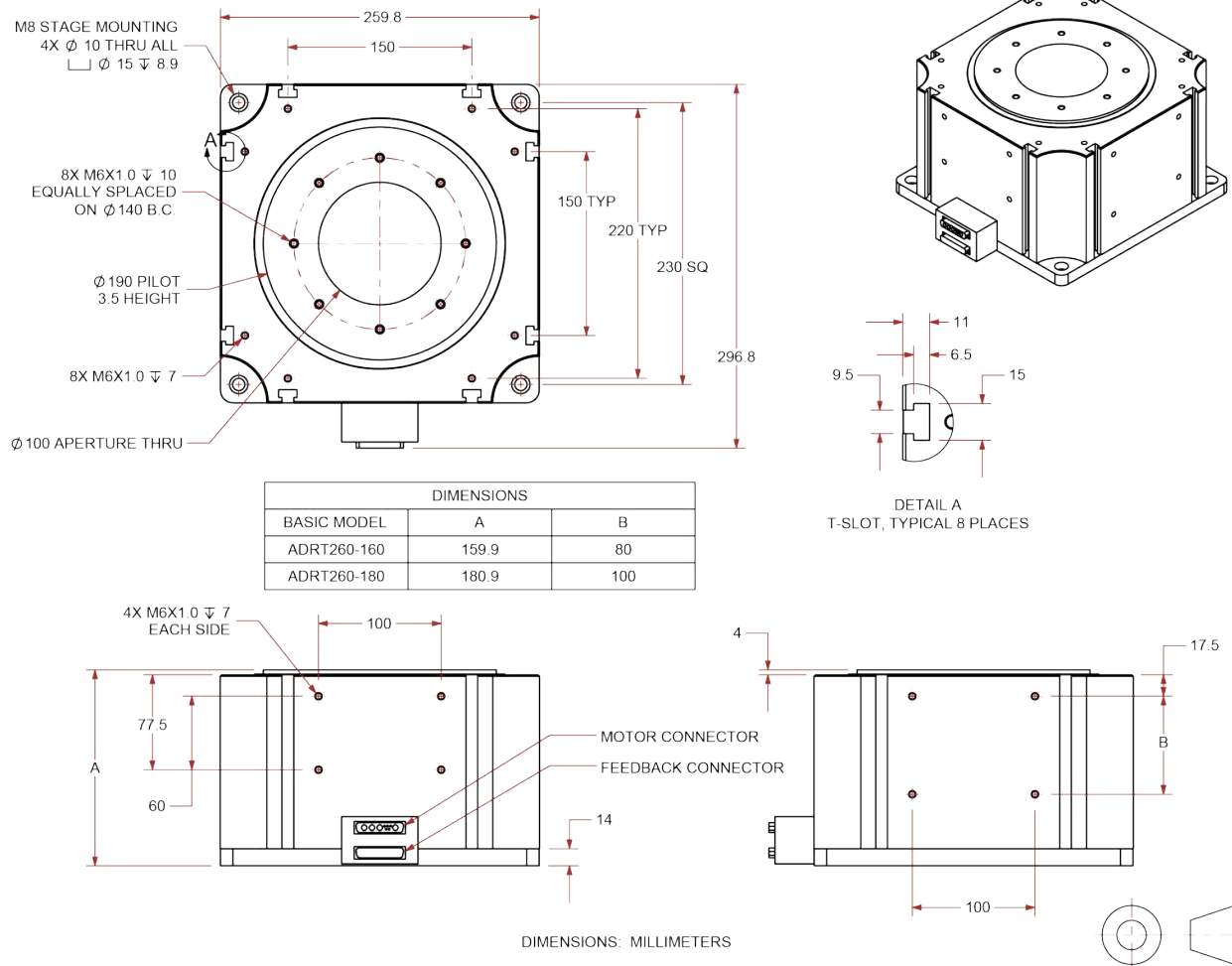
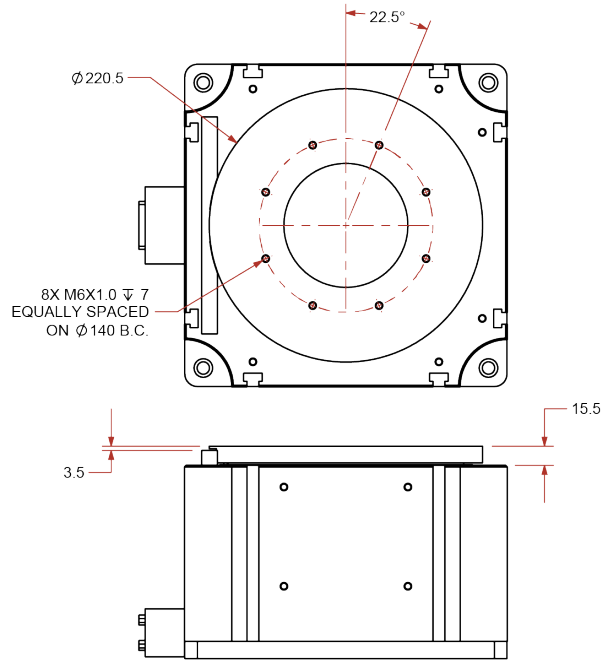
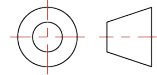


Figure 2-2: ADRT260 Limited Travel Dimensions



ADRT260 LIMITED TRAVEL OPTIONS, UNITS: DEGREES		
OPTION	NOMINAL TRAVEL	HARDSTOP TRAVEL
-TR010	+/- 5	+/- 10
-TR020	+/- 10	+/- 15
-TR040	+/- 20	+/- 25
-TR060	+/- 30	+/- 35
-TR080	+/- 40	+/- 45
-TR090	+/- 45	+/- 50
-TR100	+/- 50	+/- 55
-TR120	+/- 60	+/- 65
-TR140	+/- 70	+/- 75
-TR160	+/- 80	+/- 85
-TR180	+/- 90	+/- 95
-TR200	+/- 100	+/- 105
-TR220	+/- 110	+/- 115
-TR240	+/- 120	+/- 125
-TR260	+/- 130	+/- 135
-TR270	+/- 135	+/- 140
-TR280	+/- 140	+/- 145
-TR300	+/- 150	+/- 155

DIMENSIONS: MILLIMETERS



2.2. Securing the Stage to the Mounting Surface

DANGER: Mechanical Hazard!



Personnel must be made aware of the mechanical hazards during set up or when you do service to the stage.

- Do not manually move the stage if it is connected to a power source.
- The stage must be mounted securely. Improper mounting can result in injury and damage to the equipment.
- When you move the tabletop manually to do maintenance, this could expose the operator to pinch points. Refer to [Pinch Points](#) on [Page 12](#).

The mounting surface must be flat and have adequate stiffness to achieve the maximum performance from the stage. When it is mounted to a non-flat surface, the stage can be distorted while the mounting screws are tightened. This distortion will decrease overall accuracy. Adjustments to the mounting surface must be done before the stage is secured.

Inspect the mounting surface for dirt or unwanted residue and clean if necessary. Use precision flatstones on the mounting surface to remove any burrs or high spots. Clean the mounting surface with a lint-free cloth and acetone or isopropyl alcohol and allow the cleaning solvent to completely dry. Gently place the stage on the mounting surface.

IMPORTANT: The stage is precision machined and verified for flatness at the factory.



- Do not machine the stage housing. If you must machine a surface to achieve a required flatness, machine the mounting surface.
- Keep the use of shims to a minimum when you mount the stage to the mounting surface. The use of shims could reduce the rigidity of the system.

Table 2-1: Stage Mounting Surface Flatness Requirement

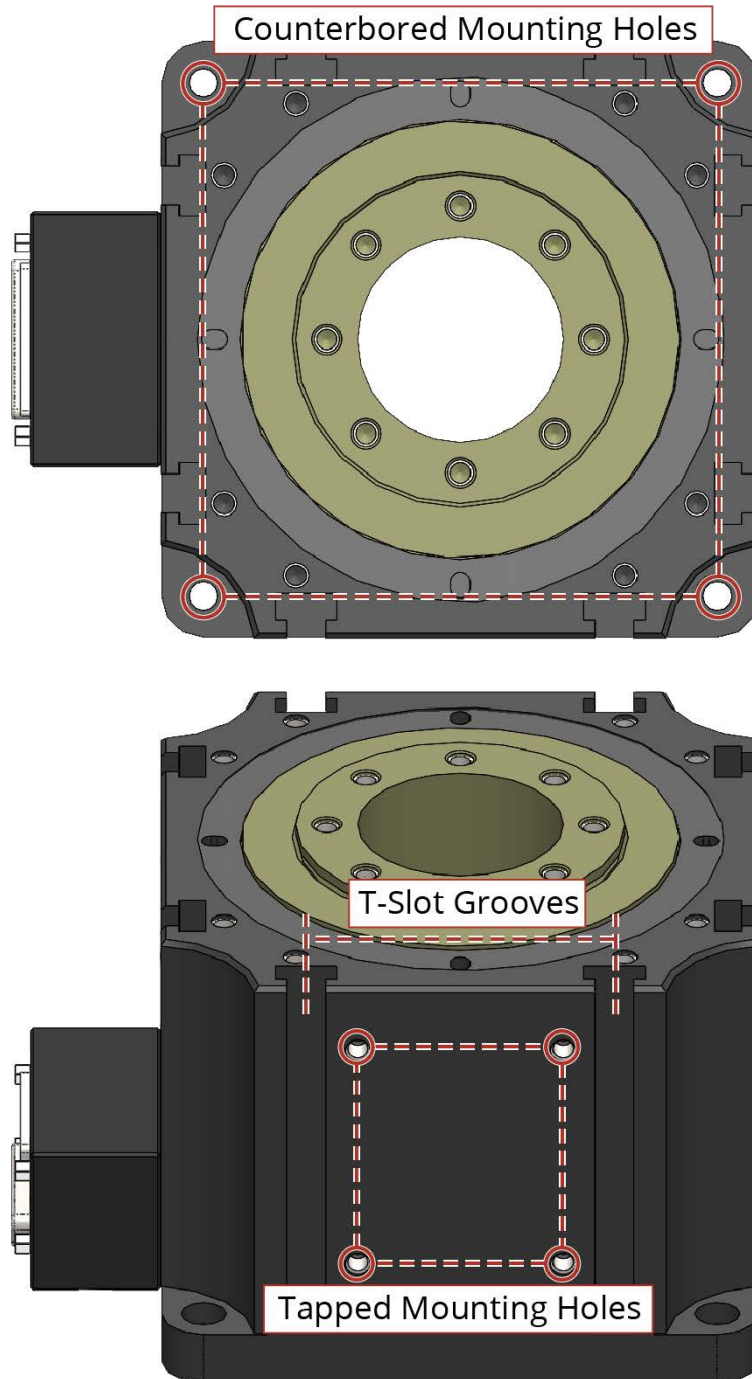
Stage	Flatness Requirement
All Frame Sizes	13 μ m

ADRT series stages have a fixed mounting pattern available to secure the stage to a mounting surface. [Figure 2-3](#) shows the main mounting holes in the base of the stage. Tightening torque values for the mounting hardware are dependent on the properties of the surface to which the stage is being mounted. Values provided in [Table 2-2](#) are typical values and may not be accurate for your mounting surface. Refer to [Section 2.1](#) for specific model mounting locations and dimensions.

Table 2-2: Stage to Mounting Surface Hardware

Mounting Hardware		Typical Screw Torque
Top	M8 SHCS	17 N·m
Side	M6-1.0 x 6.0 tapped holes	7 N·m

Figure 2-3: Stage Mounting Holes



2.3. Attaching the Payload or Fixturing to the Stage

Inspect the mounting surface for dirt or unwanted residue and clean if necessary. Clean the mounting surface with a lint-free cloth and acetone or isopropyl alcohol and allow the cleaning solvent to completely dry. Gently place the stage on the mounting surface.

Use a representative payload during start-up to prevent accidental damage to the stage and the payload. Proceed with the electrical installation and test the motion control system in accordance with the system documentation. Document all results for future reference. For information on electrical installation refer to [Chapter 3: Electrical Installation](#) and the documentation delivered with the stage.



WARNING: General Hazard Warning!

Be careful when you attach the payload to the stage table.

- Refer to the dimensions in [Section 2.1](#). for maximum allowable thread engagement.



IMPORTANT: If your ADRT was purchased with Aerotech controls, it could have been tuned with a representative payload based on the information provided at the time of order. If you start the ADRT without a payload, the servo gains provided by Aerotech with the shipment may not be appropriate and servo instability can occur. Refer to the controller help file for tuning assistance.

The payload must be flat, rigid, and comparable to the stage in quality to maintain optimum performance.

Table 2-3: Mounting Interface Flatness Requirement

Stage Travel	Flatness Requirement
All Travels	13 μ m

Applied loads should be symmetrically distributed whenever possible. The payload should be centered on the stage table and the entire stage should be centered on the support structure.

Refer to [Section 1.3](#). for maximum load carrying capacity specifications. If cantilevered loads are applied, refer to the [Figure 2-5](#) to find the maximum allowable load.



IMPORTANT: Where possible, use 3-point mounting when you attach the payload to the stage.

Figure 2-4: Load Orientations

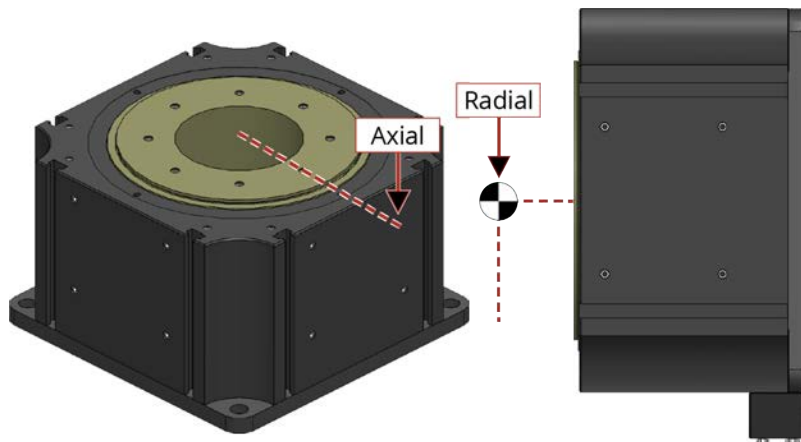
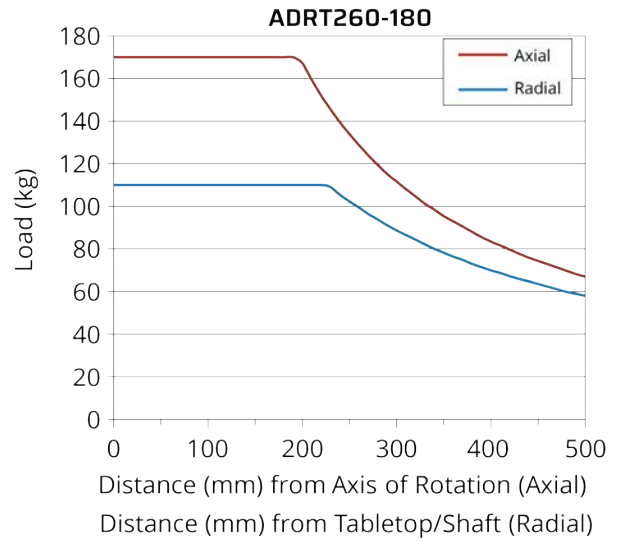
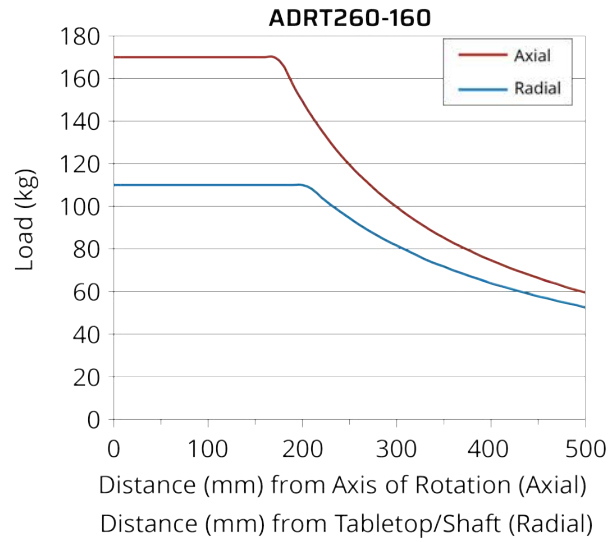


Figure 2-5: Cantilevered Load Capabilities



Chapter 3: Electrical Installation

DANGER: Electrical Shock Hazard!



- Stage motor phase voltage levels could be hazardous live.
- Personnel are protected from hazardous voltages unless electrical interconnections, protective bonding (safety ground), or motor/stage enclosures are compromised.
- Do not connect or disconnect stage/motor interconnections while connected to a live electrical power source.
- Before you set up or do maintenance, disconnect electrical power.
- It is the responsibility of the End User/System Integrator to make sure that stages are properly connected and grounded per Engineering Standards and applicable safety requirements.
- It is the responsibility of the End User/System Integrator to configure the system drive or controller within the Aerotech motor/stage electrical and mechanical specifications.

WARNING: General Hazard Warning!



Applications that require access to the ADRT must be restricted to qualified and trained personnel. The system integrator or qualified installer is responsible for determining and meeting all safety and compliance requirements when they integrate the ADRT into a completed system. Failure to do so could expose the operator to electrical or mechanical hazards.

Electrical installation requirements will depend on the ordered product options. Installation instructions in this section are for Aerotech products equipped with standard Aerotech motors intended for use with an Aerotech motion control system. Contact Aerotech for further information on products that are otherwise configured.

Aerotech motion control systems are adjusted at the factory for optimum performance. When the ADRT is part of a complete Aerotech motion control system, setup should only require that you connect the stage to the appropriate drive chassis with the cables provided. Labels on the system components should indicate the appropriate connections.

If system level integration was purchased, an electrical drawing that shows the system interconnects has been supplied with the system (separate from this documentation).

The electrical wiring from the motor and encoder are integrated at the factory. Refer to the sections that follow for standard motor wiring and connector pinouts.



IMPORTANT: Refer to the controller documentation to adjust servo gains for optimum velocity and position stability.

3.1. Motor and Feedback Connectors

Stages equipped with standard motors and encoders come from the factory completely wired and assembled.



IMPORTANT: Refer to the other documentation accompanying your Aerotech equipment. Call your Aerotech representative if there are any questions on system configuration.



IMPORTANT: If you are using standard Aerotech motors and cables, motor and encoder connection adjustments are not required.

The protective ground connection of the ADRT provides motor frame ground protection only. Additional grounding and safety precautions are required for applications requiring access to the stage while it is energized. The System Integrator or qualified installer is responsible for determining and meeting all safety and compliance requirements necessary for the integration of this stage into the final application.



DANGER: Electrical Shock Hazard!

- The protective ground connection must be properly installed to minimize the possibility of electric shock.
- The stage controller must provide over-current and over-speed protection. Failure to do so could cause electric shock or damage to the equipment.

Table 3-1: High Power D-Style Motor Connector Pinout


Pin	Description	Connector
Case	Shield Connection	
A1	Motor Phase A	
A2	Motor Phase B	
A3	Motor Phase C	
1	Reserved	
2	Reserved	
3	Reserved	
4	Reserved	
5	Reserved	
A4	Frame Ground (motor protective ground)	

Table 3-2: Mating Connector Part Numbers for the Motor Connector

Mating Connector	Aerotech P/N	Third Party P/N
Backshell	ECK00656	Amphenol #17E-1726-2
Sockets [QTY. 4]	ECK00659	ITT Cannon #DM53744-6
Connector	ECK00657	ITT Cannon #DBM9W4SA197

Table 3-3: Feedback Connector Pinout

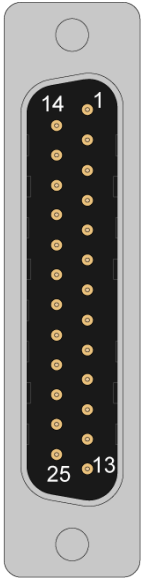
Pin	Description	Connector
Case	Shield Connection	
1	Reserved	
2	Over-Temperature Thermistor Sensor	
3	Encoder 5V Supply Input	
4	Reserved	
5	Hall Effect Sensor (Phase B)	
6	MRK- (Encoder Marker-)	
7	MRK+ (Encoder Marker+)	
8	Reserved	
9	Reserved	
10	Hall Effect Sensor (Phase A)	
11	Hall Effect Sensor (Phase C)	
12	+ /CW LMT (End-of travel limit signal that indicates maximum permitted stage travel in the “machine positive” or “machine clockwise” direction.) [with the Limited Travel option]	
13	Reserved	
14	COS+ (Encoder Cosine+)	
15	COS- (Encoder Cosine-)	
16	Encoder 5V Supply Input	
17	SIN+ (Encoder Sine+)	
18	SIN- (Encoder Sine-)	
19	Reserved	
20	Common ground (internally connected to PIN-21)	
21	Common ground (internally connected to PIN-20)	
22	Reserved	
23	Home Limit [with the Limited Travel option]	
24	- /CCW LMT (End-of travel limit signal that indicates maximum permitted stage travel in the “machine negative” or “machine counter-clockwise” direction.) [with the Limited Travel option]	
25	Reserved	

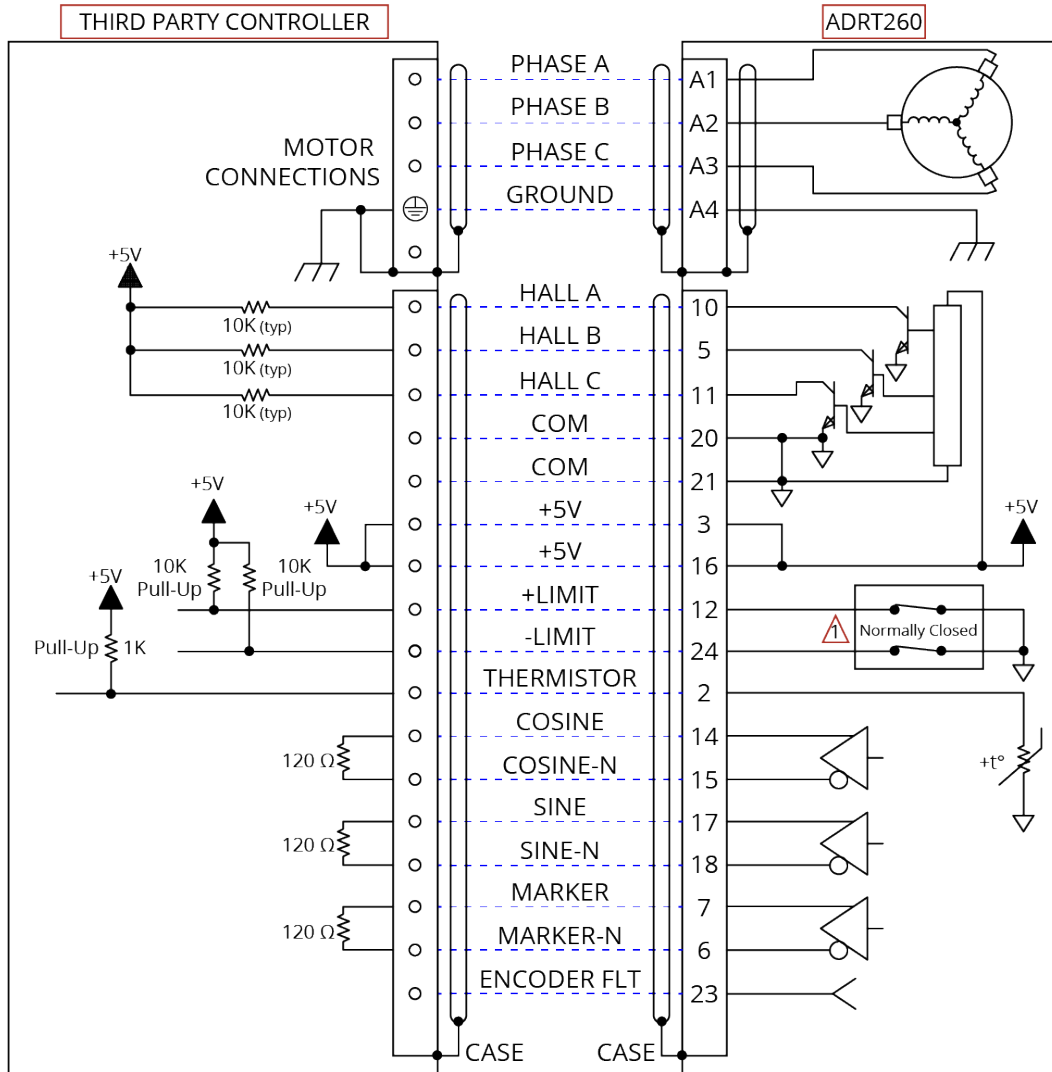
Table 3-4: Mating Connector Part Numbers for the Feedback Connector


Mating Connector	Aerotech P/N	Third Party P/N
25-Socket D-Connector	ECK00300	FCI DB25S064TLF
Backshell	ECK00656	Amphenol 17E-1726-2

3.2. Motor and Feedback Wiring

Shielded cables are required for the motor and feedback connections.

Figure 3-1: Motor and Feedback Wiring



 Limited travel models only (continuous travel models do not have this feature).

3.3. Motor and Feedback Specifications

Hall Effect, Encoder, and Limit wiring share a common 5V supply connection inside the feedback connector.

Table 3-5: Hall-Effect Sensor Specifications

	Specification
Supply Voltage	5 V \pm 5%
Supply Current	50 mA
Output Type	Open Collector
Output Voltage	24 V max (pull up)
Output Current	5 mA (sinking)

Table 3-6: Thermistor Specifications

	Specification
Polarity	Logic "0" (no fault)
	Logic "1" (over-temperature fault)
Cold Resistance	\sim 100 Ω
Hot Resistance	\sim 10 K
Note: 1K pull-up to +5V recommended.	

Table 3-7: Encoder Specifications

	Specification
Supply Voltage	5 V \pm 5%
Supply Current	250 mA (typical)
Output Signals (-E6)	Sinusoidal Type (Incremental Encoder): Analog: SIN+, SIN-, COS+, COS-, 1V _{pk-pk} ; Digital (RS422): MRK+, MRK- signals.
Output Signals (-E7, -E8, -E9, -E10)	Digital Output (Incremental Encoder): TTL Encoder line-driver signals; RS422/485 compatible

The encoders used on all ADRT series stages come standard with a 40 MHz clock rate. Aerotech can provide slower or faster clock rates to match your controller. Contact the Aerotech for more information.

Table 3-8: Encoder Resolution

Encoder Option	ADRT260
Fundamental Resolution	22304 lines/rev
-E6 (1)	.015 / .004 arc sec
-E7	2.91 arc sec
-E8	1.45 arc sec
-E9	0.73 arc sec
-E10	0.58 arc sec
(1) -E6 shows x4000 / x16000 total interpolation. Other interpolation factors are available.	
(2) Quadrature decoding included in all resolution calculations.	

Table 3-9: Maximum Speed Per Encoder Option

Encoder Option	ADRT260
-E6, -E7, -E8, -E9	375 rpm
-E10	375 rpm

Table 3-10: Limit Switch Specifications

	Specification
Supply Voltage	5 V \pm 5%
Supply Current	25 mA
Output Type	Open Collector
Output Voltage	5 V
Output Current	10 mA (sinking)
Output Polarity (Factory Configured)	Normally Closed (NC) <ul style="list-style-type: none"> Sinks current to ground (Logic "0") when not in limit High impedance (Logic "1") when in limit Requires external pull-up to +5 V (10 kΩ recommended)
Note: If the ADRT is driven beyond the electrical limit, it will encounter a mechanical stop. Impacting the mechanical stop could cause damage to the stage even at low speeds.	

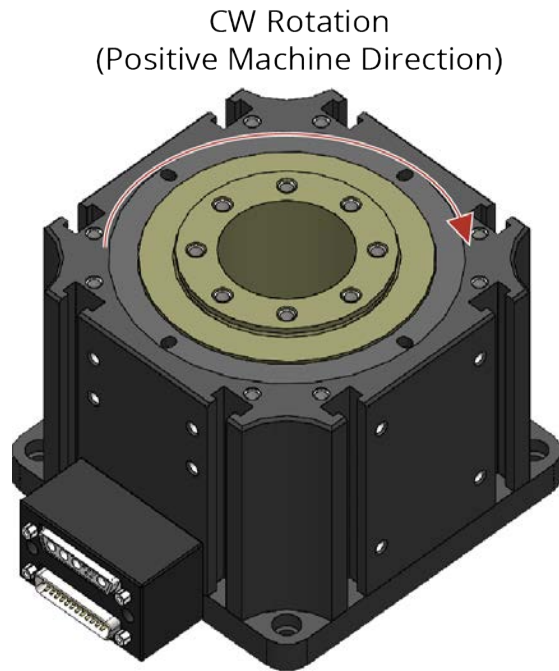
Table 3-11: ADRT Motor Specifications

		S-240-63 (ADRT260-160)		S-240-83 (ADRT260-180)	
Performance Specifications ^(1,5)					
Winding Designation		-A	-B	-A	-B
Stall Torque, Cont. ⁽²⁾	N·m	19.71		29.09	
Peak Torque ⁽³⁾	N·m	78.82		116.37	
Electrical Specifications ⁽⁵⁾					
Winding Designation		-A	-B	-A	-B
BEMF Const., line-line, Max	V _{pk} /krpm	404.3	202.2	607.2	303.6
Continuous Current, Stall ⁽²⁾	A _{pk}	5.9	11.8	5.8	11.6
	A _{rms}	4.2	8.3	4.1	8.2
Peak Current, Stall ⁽²⁾	A _{pk}	23.6	47.2	23.2	46.4
	A _{rms}	16.7	33.4	16.4	32.8
Torque Constant ^(4, 9)	N·m/A _{pk}	3.34	1.67	5.02	2.51
	N·m/A _{rms}	4.72	2.36	7.09	3.55
Motor Constant ^(2, 4)	N·m/ \sqrt W	1.405	1.405	1.893	1.893
Resistance, 25°C, line-line	Ω	5.8	1.5	7.2	1.8
Inductance, line-line	mH	2.90	0.73	4.30	1.08
Maximum Bus Voltage	V _{DC}				
Thermal Resistance	°C/W	0.38		0.32	
Number of Poles	--	26		26	
1. Performance is dependent upon heat sink configuration, system cooling conditions, and ambient temperature. 2. Values shown @ 75°C rise above a 25 °C ambient temperature, with housed motor mounted to a 330 mm x 330 mm x 13 mm aluminum heat sink 3. Torque constant and motor constant specified at stall. 5. All performance and electrical specifications \pm 10%. 6. Specifications given are for the motor only. When integrated into a housing with bearings additional losses should be considered. 7. Maximum winding temperature is 100 °C (thermistor trips at 100 °C). 8. Ambient operating temperature range 0 °C - 25 °C; consult Aerotech for performance in elevated ambient temperatures. 9. All Aerotech amplifiers are rated A _{pk} ; use torque constant in N·m/A _{pk} when sizing.					

3.4. Limits, Marker, and Machine Direction

Aerotech stages are configured to have positive and negative "machine" directions. The machine direction defines the phasing of the feedback and motor signals and is dictated by the stage wiring (refer to [Section 3.2.](#)). Programming direction of a stage is set by the controller that is used to move the stage. Programming direction is typically selectable in the controller, while machine direction is hardwired in the stage. [Figure 3-2](#) shows the machine direction of ADRT stages.

Figure 3-2: Machine Direction



3.5. Motor and Feedback Phasing

Motor phase voltage is measured relative to the virtual wye common point.

Figure 3-3: Hall Phasing Diagram

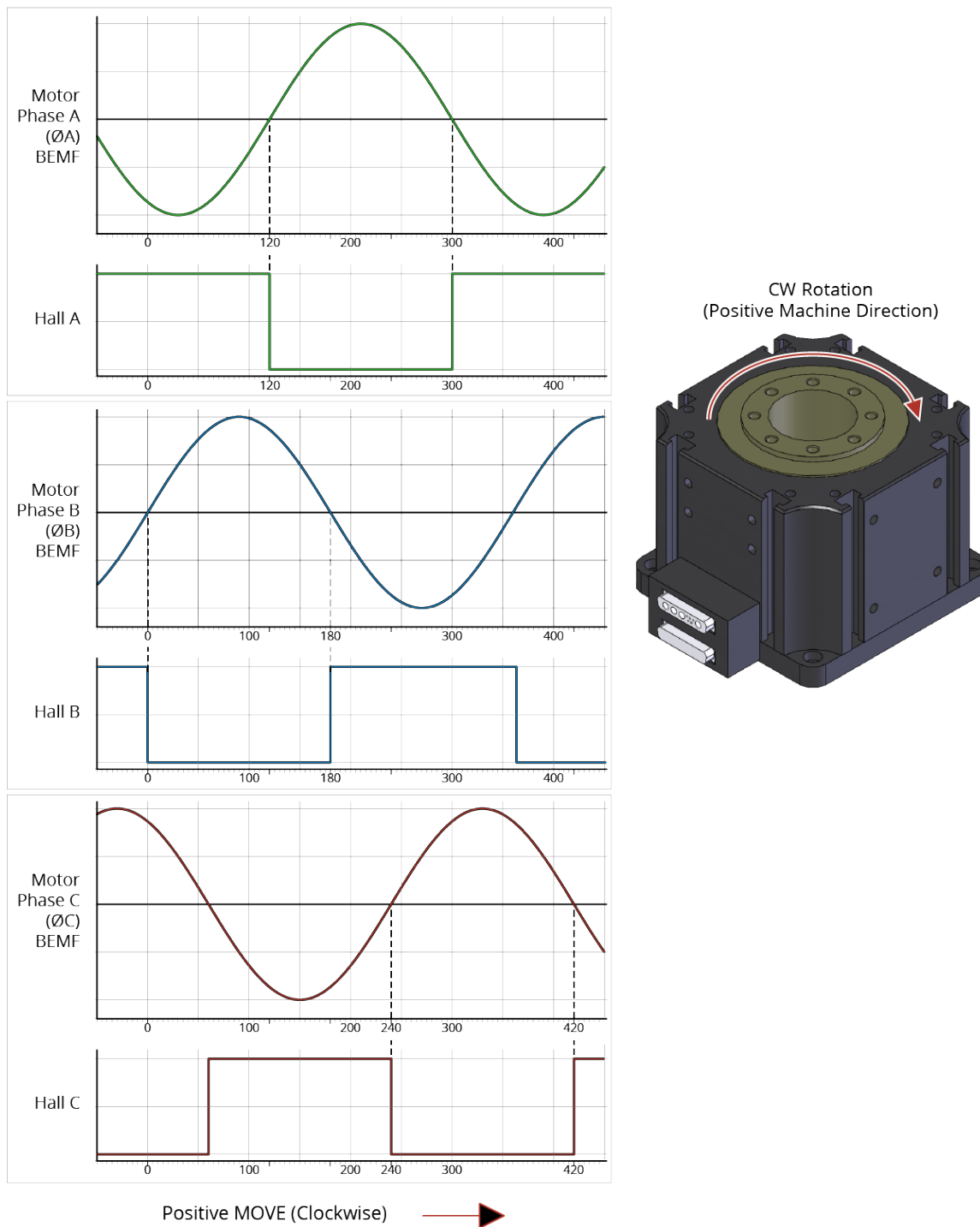
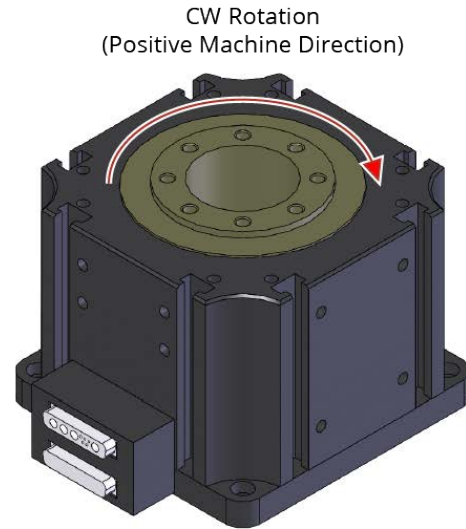
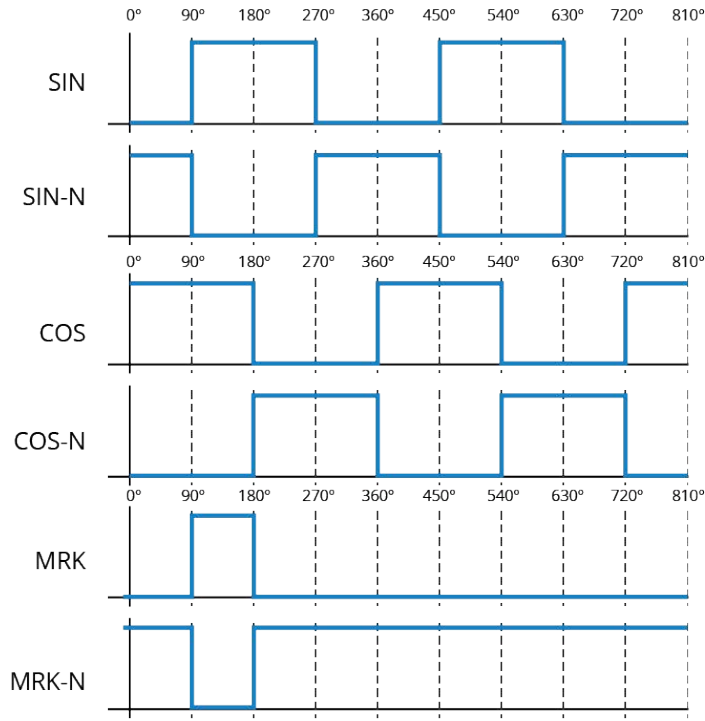
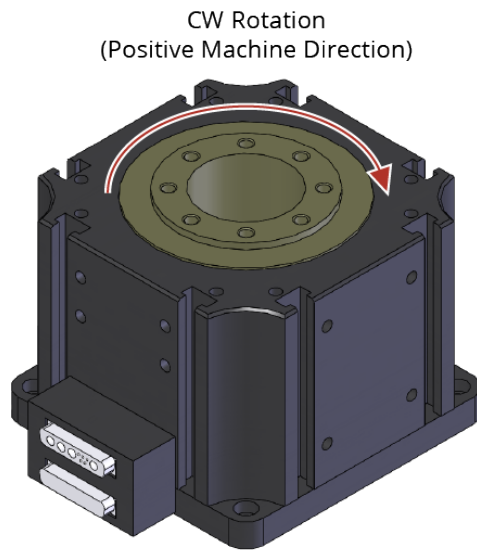
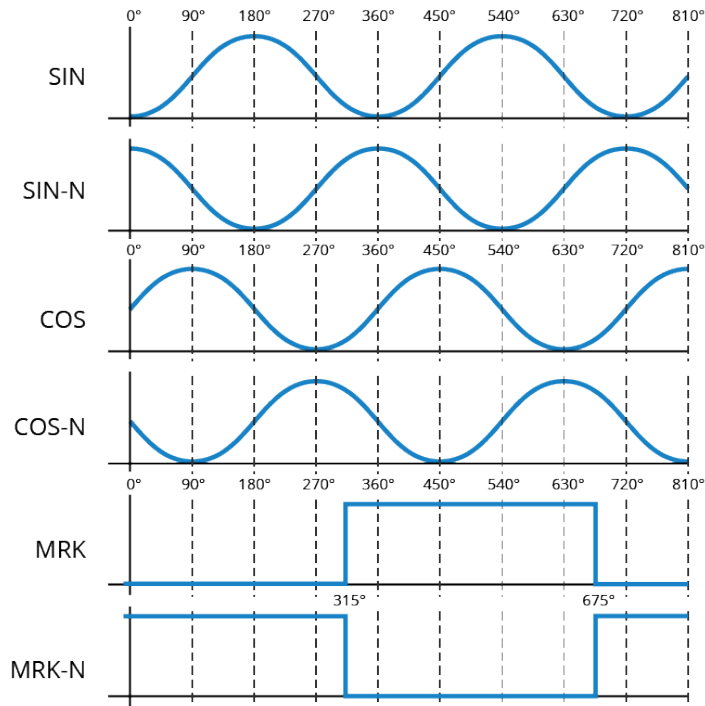


Figure 3-4: Encoder Phasing Reference Diagram (Standard/Square Wave)



Positive MOVE (Clockwise) →

Figure 3-5: Encoder Phasing Reference Diagram (Analog/Sine Wave)



Positive MOVE (Clockwise) →

Chapter 4: Maintenance



IMPORTANT: Read the [Safety Procedures and Warnings](#) (on [Page 8](#)) before you do maintenance to the stage.



IMPORTANT: Keep the bearing area free of foreign matter and moisture or the performance and life expectancy of the stage will be reduced.

The ADRT series stages are designed to require minimum maintenance. In general, it is not possible for Aerotech field service personnel to repair or replace damaged or components that have malfunctioned. Repairs will typically require you to return the unit to the factory. Contact Aerotech Global Technical Support for more information.

4.1. Service and Inspection Schedule

Inspect the ADRT at least once per month. The need for a longer or shorter inspection interval will depend on the application and conditions, such as the duty cycle, speed, and environment.

Monthly inspections should include but not be limited to:

- Visually inspect the stage and cables.
- Re-tighten loose connectors.
- Replace or repair damaged cables.
- Clean the ADRT and any components and cables as needed.
- Repair any damage before operating the ADRT.
- Inspect and perform an operational check on all safeguards and protective devices.

4.2. Cleaning and Lubrication



DANGER: Electrical Shock Hazard! Before you do maintenance to the equipment, disconnect the electrical power.



IMPORTANT: Wear appropriate personal protective equipment (PPE) when you use cleaning solvents or lubricants.

In normal operating conditions and with proper cleanliness of the stage, the bearing will not require lubrication or maintenance for the life of the stage. The motor is completely non-contact and requires no lubrication under normal circumstances.

If the application process uses only a small portion of travel for most of the duty cycle, periodically drive the stage through full travel to redistribute the lubrication in the bearings.

When you clean components of the ADRT series stage:

1. Use a clean, dry, soft, lint-free cloth.
2. Before you use a cleaning solvent on any part of the stage, blow away small particles and dust with clean, dry, compressed air.
3. In applications that have multiple stages bolted together to form multi-axis systems, the orthogonality can be lost if the stage tables of the support stages are loosened. Precision aligned stages should not be loosened or disassembled.
4. We recommend that you do not disassemble the stage beyond the instructions given in this manual. Proper assembly and calibration can only be done at the factory. Contact Aerotech for more information.

Cleaning

Use isopropyl alcohol on a lint-free cloth to clean any external metal surface of the ADRT.



WARNING: General Hazard Warning! Make sure that all solvent has completely evaporated before you move the stage.

4.3. Travel Adjustment



WARNING: Mechanical Hazard! Do not adjust the optical limits to an angle greater than the hard stop travel. Doing so could result in damage to the stage and payload and the possibility of injury. Maintain at least $\pm 5^\circ$ of overtravel between the optical limits and the hard stops.

Stages with the limited travel option have the optical limits and mechanical hard stops precisely set at the factory prior to shipment. The limit flag and table top are specifically designed for each travel option and cannot be adjusted to handle different travels. If you require a change in travel, contact Aerotech to purchase the correctly sized limit flag and table top.

4.4. Troubleshooting

Table 4-1: Troubleshooting

Symptom	Possible Cause and Solution
Stage will not move	<ul style="list-style-type: none"> Shipping restraints still installed. Remove the red anodized shipping brackets. Brake not released (if equipped with brake; refer to stage documentation). In Limit condition. Check limits (refer to Chapter 3: Electrical Installation) and refer to the Controller documentation for polarity and compatibility requirements (Example: voltage requirements). Controller trap or fault (refer to the Controller documentation).
Stage moves uncontrollably	<ul style="list-style-type: none"> Encoder (sine and cosine) signal connections (refer to Chapter 3: Electrical Installation and Controller documentation). Motor Connections (refer to Chapter 3: Electrical Installation and the Controller documentation).
Stage oscillates or squeals	<ul style="list-style-type: none"> Gains misadjusted (refer to the Controller documentation). Encoder signals (refer to the Controller documentation).

Appendix A: Warranty and Field Service

Aerotech, Inc. warrants its products to be free from harmful defects caused by faulty materials or poor workmanship for a minimum period of one year from date of shipment from Aerotech. Aerotech's liability is limited to replacing, repairing or issuing credit, at its option, for any products that are returned by the original purchaser during the warranty period. Aerotech makes no warranty that its products are fit for the use or purpose to which they may be put by the buyer, whether or not such use or purpose has been disclosed to Aerotech in specifications or drawings previously or subsequently provided, or whether or not Aerotech's products are specifically designed and/or manufactured for buyer's use or purpose. Aerotech's liability on any claim for loss or damage arising out of the sale, resale, or use of any of its products shall in no event exceed the selling price of the unit.

THE EXPRESS WARRANTY SET FORTH HEREIN IS IN LIEU OF AND EXCLUDES ALL OTHER WARRANTIES, EXPRESSED OR IMPLIED, BY OPERATION OF LAW OR OTHERWISE. IN NO EVENT SHALL AEROTECH BE LIABLE FOR CONSEQUENTIAL OR SPECIAL DAMAGES.

Return Products Procedure

Claims for shipment damage (evident or concealed) must be filed with the carrier by the buyer. Aerotech must be notified within thirty (30) days of shipment of incorrect material. No product may be returned, whether in warranty or out of warranty, without first obtaining approval from Aerotech. No credit will be given nor repairs made for products returned without such approval. A "Return Materials Authorization (RMA)" number must accompany any returned product(s). The RMA number may be obtained by calling an Aerotech service center or by submitting the appropriate request available on our website (www.aerotech.com). Products must be returned, prepaid, to an Aerotech service center (no C.O.D. or Collect Freight accepted). The status of any product returned later than thirty (30) days after the issuance of a return authorization number will be subject to review.

Visit [Global Technical Support Portal](#) for the location of your nearest Aerotech Service center.

Returned Product Warranty Determination

After Aerotech's examination, warranty or out-of-warranty status will be determined. If upon Aerotech's examination a warranted defect exists, then the product(s) will be repaired at no charge and shipped, prepaid, back to the buyer. If the buyer desires an expedited method of return, the product(s) will be shipped collect. Warranty repairs do not extend the original warranty period.

Fixed Fee Repairs - Products having fixed-fee pricing will require a valid purchase order or credit card particulars before any service work can begin.

All Other Repairs - After Aerotech's evaluation, the buyer shall be notified of the repair cost. At such time the buyer must issue a valid purchase order to cover the cost of the repair and freight, or authorize the product(s) to be shipped back as is, at the buyer's expense. Failure to obtain a purchase order number or approval within thirty (30) days of notification will result in the product(s) being returned as is, at the buyer's expense.

Repair work is warranted for ninety (90) days from date of shipment. Replacement components are warranted for one year from date of shipment.

Rush Service

At times, the buyer may desire to expedite a repair. Regardless of warranty or out-of-warranty status, the buyer must issue a valid purchase order to cover the added rush service cost. Rush service is subject to Aerotech's approval.

On-site Warranty Repair

If an Aerotech product cannot be made functional by telephone assistance or by sending and having the customer install replacement parts, and cannot be returned to the Aerotech service center for repair, and if Aerotech determines the problem could be warranty-related, then the following policy applies:

Aerotech will provide an on-site Field Service Representative in a reasonable amount of time, provided that the customer issues a valid purchase order to Aerotech covering all transportation and subsistence costs. For warranty field repairs, the customer will not be charged for the cost of labor and material. If service is rendered at times other than normal work periods, then special rates apply.

If during the on-site repair it is determined the problem is not warranty related, then the terms and conditions stated in the following "On-Site Non-Warranty Repair" section apply.

On-site Non-Warranty Repair

If any Aerotech product cannot be made functional by telephone assistance or purchased replacement parts, and cannot be returned to the Aerotech service center for repair, then the following field service policy applies:

Aerotech will provide an on-site Field Service Representative in a reasonable amount of time, provided that the customer issues a valid purchase order to Aerotech covering all transportation and subsistence costs and the prevailing labor cost, including travel time, necessary to complete the repair.

Service Locations

<https://www.aerotech.com/contact-sales.aspx?mapState=showMap>

USA, CANADA, MEXICO

Aerotech, Inc.
Global Headquarters

CHINA

Aerotech China
Full-Service Subsidiary

GERMANY

Aerotech Germany
Full-Service Subsidiary

TAIWAN

Aerotech Taiwan
Full-Service Subsidiary

UNITED KINGDOM

Aerotech United Kingdom
Full-Service Subsidiary

Appendix B: Revision History

Revision	General Information
2.00	<ul style="list-style-type: none">• Updated model options (Chapter 1: Overview)• Updated Basic Specifications (Section 1.3.)• New encoder specifications• Updated safety information• Updated EU Declaration of Incorporation• Added UKCA Declaration of Incorporation
1.02	Revision changes have been archived. If you need a copy of this revision, contact Aerotech Global Technical Support.
1.01	
1.00	

This page intentionally left blank.

Index

		Handling	13
		Humidity	16
	2		
2006/42/EC	6		
	A		
Accuracy and Temperature Effects	16		
Accuracy of the Ballscrew	16		
Altitude	16		
Ambient Temperature	16		
Attaching the Payload	23		
	B		
Braycote® 602EF	18		
	C		
cleaning			
mounting surface	21,23		
Cleaning	36		
cleaning solvent	36		
	D		
Dimensions	19		
Directive 2006/42/EC	6		
	E		
Electrical Installation	25		
Electrical Specifications			
S-240	31		
Electrical Warnings	10		
EN 60204-1 2010	6-7		
EN ISO 12100 2010	6-7		
Encoder Resolution	30		
Encoder Specifications	30		
EU 2015/863	6		
	G		
grease	18		
	H		
Hall-Effect Sensors Specifications	30		
		I	
		Inspection Schedule	35
		isopropyl alcohol	36
		L	
		label	13-14
		Limit Switch Specifications	31
		lubricant	
		vacuum	18
		M	
		Maximum Speed Per Encoder Option	30
		Motor-Related Warnings	11
		mounting surface	
		cleaning	21,23
		securing stage	21
		multiaxis combinations	36
		P	
		packing list	13
		part number	13-14
		Performance Specifications	
		S-240	31
		Possible Cause	38
		Protection Rating	16
		protective ground connection	26
		S	
		S-240	
		Electrical Specifications	31
		Performance Specifications	31
		serial number	13-14
		shims	21
		Solution	38
		solvents	36
		Specifications	17
		Encoder	30
		Hall-Effect Sensors	30
		Limit Switch	31
		Thermistor Specifications	30

stabilizing stage	14
stage	
distortion	21
stabilizing	14
Storage	13
Symptom	38

T

Table of Contents	3
Temperature Effects	16
Thermistor Specifications	30
Troubleshooting	38

V

vacuum guidelines	18
vacuum lubricant (Braycote 602EF)	18
Vacuum Operation	18
Vibration	16

W

Warnings	8
Warranty and Field Service	39